



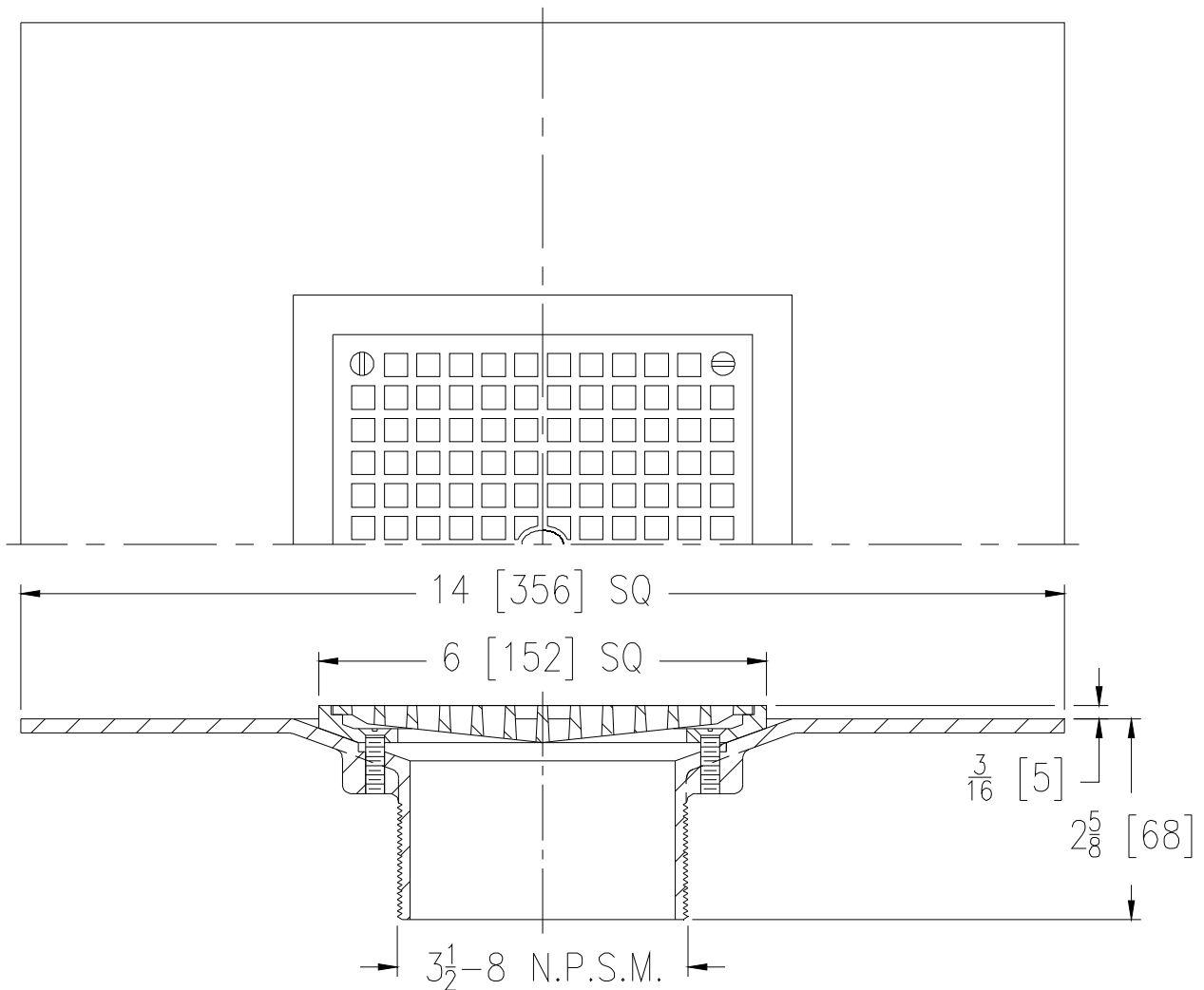
# Z400SL

"TYPE SL" SQUARE STRAINER W/ DEX-O-TEX FLANGE

SPECIFICATION SHEET

TAG \_\_\_\_\_

Dimensional Data (inches and [ mm ]) are Subject to Manufacturing Tolerances and Change Without Notice



Strainer Designation	Top Size Inches B	Approx. Wt. Lbs. [kg]	Open Area Sq. In. [cm <sup>2</sup> ]
-6SL	6 X 6 [152 X 152]	12 [5]	14 [90]

**ENGINEERING SPECIFICATION: ZURNZ( )400SL**  
 "TYPE SL" square adjustable strainer top, Dura-Coated cast iron head with 14 [356] square latex flange, complete with polished bronze frame and secured heel-proof grate.  
 (Specify ZB or ZN finish)

**OPTIONS** (Check/specify appropriate options)

**PREFIXES**

- \_\_\_\_\_ ZB Polished Bronze Top
- \_\_\_\_\_ ZN Polished Nickel Bronze Top

**SUFFIXES**

- \_\_\_\_\_ -CP Chrome Plated Bronze Top
- \_\_\_\_\_ -PC Protective Cover
- \_\_\_\_\_ -VP Vandal Proof Secured Top
- \_\_\_\_\_ -Y Sediment Bucket

\* Regularly furnished unless otherwise specified.