



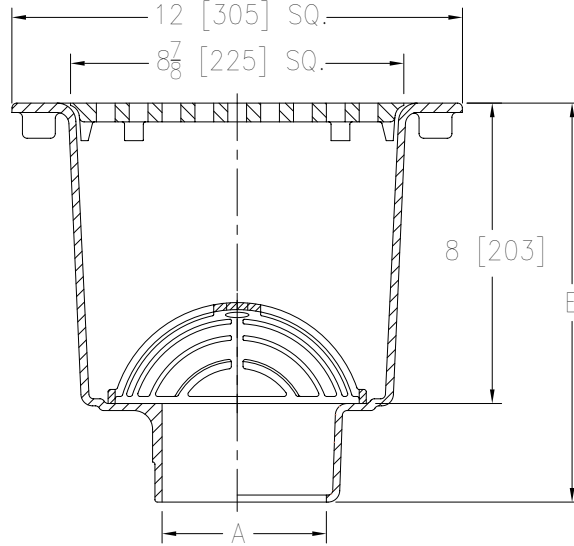
# Z1901

12 X 12 [305 X 305] A.R.E. SANI-FLOR RECEPTOR 8  
[203] SUMP DEPTH

SPECIFICATION SHEET

TAG \_\_\_\_\_

Design and Dimensional Data (inches and [ mm ]) are Subject to Manufacturing Tolerances and Change Without Notice



'A' Pipe Size In. [mm]	Approx. Wt. Lbs. [kg]	Grate Open Area Sq.In. [cm <sup>2</sup> ]
2, 3, 4 [51, 76, 102]	34 [15]	31 [200]

**ENGINEERING SPECIFICATION: ZURN Z1901**  
Sani-Flor Receptor 12" x 12" x 8" [305mm x 305mm x 203mm] deep cast iron body and square, light-duty grate with 1/2" [13mm] slotted openings, white acid resisting porcelain enamel interior and top, complete with white ABS anti-splash interior bottom dome strainer.

**OPTIONS** (Check/specify appropriate options)

**PIPE SIZE**

- 3, 4 [76, 102]
- 2, 3, 4 [51, 76, 102]
- 2, 3, 4 [51, 76, 102]

(Specify size/type) **OUTLET**

- \_\_\_ IC Inside Caulk
- \_\_\_ NH No-Hub
- \_\_\_ NL Neo-Loc

**'E' BODY HT. DIMENSION.**

Z	ZN/ZS
10-5/8 [270]	11-1/8 [283]
10-5/8 [270]	11-1/8 [283]
10 [254]	10-1/2 [267]

**PREFIXES**

- \_\_\_ Z Cast Iron Body with White A.R.E. Interior\*
- \_\_\_ ZN Cast Iron Body with White A.R.E. Interior, 12-1/2 [317] Square N.B. Frame and Full Grate with 1/2 [13] Square Openings (Add 1/2 [13] to 12 [305] Dim.)
- \_\_\_ ZS Cast Iron Body with White A.R.E. Interior, 12-1/2 [317] Square Stainless Steel Frame and Full Grate with 1/2 [13] Square Openings (Add 1/2 [13] to 12 [305] Dim.)

**SUFFIXES**

- |   |  |
|---|--|
| ___ -DX Dex-O-Tex Flange (ZN Only)  | ___ -4 Full Grate w/ Center Opening (2 [51] Dia. for Z) and (3-1/32 [77] Square for ZN & ZS) |
| ___ -HD Stainless Steel Frame w/ Extra-Heavy Duty Stainless Steel Grate (ZS Only) | ___ -6 Grate w/ 6 [152] Dia. x 6 [152] High Funnel   |
| ___ -HP Heel-Proof Grate (ZN Only)  | ___ -7 Grate w/ 6-3/4 x 3 x 1 [171 x 76 x 25] High Oval Funnel                               |
| ___ -K Anchor Flange  | ___ -8 Grate w/ 8-7/8 x 3-5/8 x 3-3/4 [225 x 92 x 95] High Oval Funnel                       |
| ___ -KC Anchor Flange with Seepage Holes and Clamp Collar                         | ___ -11 Vandal-Proof Secured Top (ZN & ZS Only)  |
| ___ -LD (Less) Bottom Dome Strainer   | ___ -15 Solid Loose Set Cover (Z & ZN Only)  |
| ___ -P 1/2 [13] Trap Primer Connection (See Z1023)                                | ___ -19 Full Hinged Grate (ZN Only)  |
| ___ -TC Neo-Loc Test Cap Gasket   | ___ -23 Aluminum Bucket  |
| ___ -VPS Vandal-Proof Strainer  | ___ -25 White A.R.C. Bucket  |
| ___ -1 (Less) Grate   | ___ -31 Stainless Steel Mesh Liner for Bucket  |
| ___ -2 1/2 Grate  | ___ -32 Aluminum Dome Strainer   |
| ___ -3 3/4 Grate  | ___ -33 White A.R.C. Anti-Splash Bottom Dome Strainer  |

\* Regularly furnished unless otherwise specified.

- ⚠ **WARNING:** Cancer and Reproductive Harm - [www.P65Warnings.ca.gov](http://www.P65Warnings.ca.gov)
- ⚠ **ADVERTENCIA:** Cáncer y daño reproductivo - [www.P65Warnings.ca.gov](http://www.P65Warnings.ca.gov)
- ⚠ **AVERTISSEMENT:** Cancer et effets néfastes sur la reproduction - [www.P65Warnings.ca.gov](http://www.P65Warnings.ca.gov)

Zurn Industries, LLC | Specification Drainage Operation  
1801 Pittsburgh Avenue, Erie, PA 16502, Ph. 855.663.9876

In Canada | Zurn Industries Limited  
7900 Goreway Drive, Unit 10, Brampton, Ontario L6T 5W6, Ph. 877.892.5216

[www.zurn.com](http://www.zurn.com)

Rev. N  
Date: 01/12/23  
C.N. No. 144899  
Patent [zurn.com/patents](http://zurn.com/patents)  
Prod. | Dwg. No. Z1901