



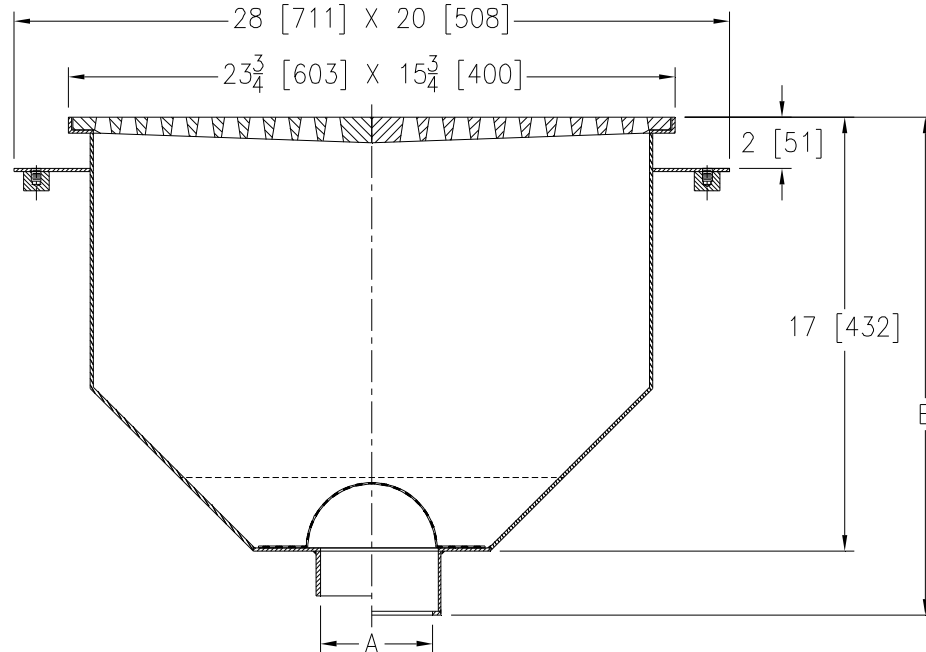
Z1995

24 X 16 [610 X 406] A.R.C. SANI-FLOR
RECEPTOR 17 [432] SUMP DEPTH

SPECIFICATION SHEET

TAG _____

Dimensional Data (inches and [mm]) are Subject to Manufacturing Tolerances and Change Without Notice



A- Pipe Size in.[mm]	Approx Wt. lbs.[kg]	Grate Open Area in. ² [cm ²]
3,4,6 [76,102,152]	250 [113]	70 [452]

ENGINEERING SPECIFICATION: ZURN Z1995

Sani-Flor Receptor 24" x 16" x 17" [610mm x 406mm x 432mm] deep, white acid resisting coated interior and exterior, fabricated steel body with integral anchor flange, and rectangular square holed heavy-duty grate, complete with stainless steel anti-splash interior bottom dome strainer.

OPTIONS (Check/specify appropriate options)

PIPE SIZE

3,4,6 [76,102,152]

(Specify size/type) **OUTLET**

_____ NH No-Hub

'E' BODY HT. DIMENSION

Z	ZN
18-3/4 [476]	19 [483]

PREFIXES

- ___ Z Fabricated Steel Body with White A.R.C. Interior*
- ___ ZN Fabricated Steel Body with White A.R.C. Interior, 16-1/8 x 24-1/8 [410 x 613] N.B. Frame and Full Grate with 1/4 [6] Square Openings

SUFFIXES

- ___ -KC Anchor Flange with Seepage Holes and Clamp Collar
- ___ -P 1/2 [13] Trap Primer Connection
- ___ -2 1/2 Grate
- ___ -3 3/4 Grate
- ___ -6 Grate w/ 6 [152] Dia. x 6 [152] High Funnel
- ___ -25 White A.R.C. Bucket

* Regularly furnished unless otherwise specified.