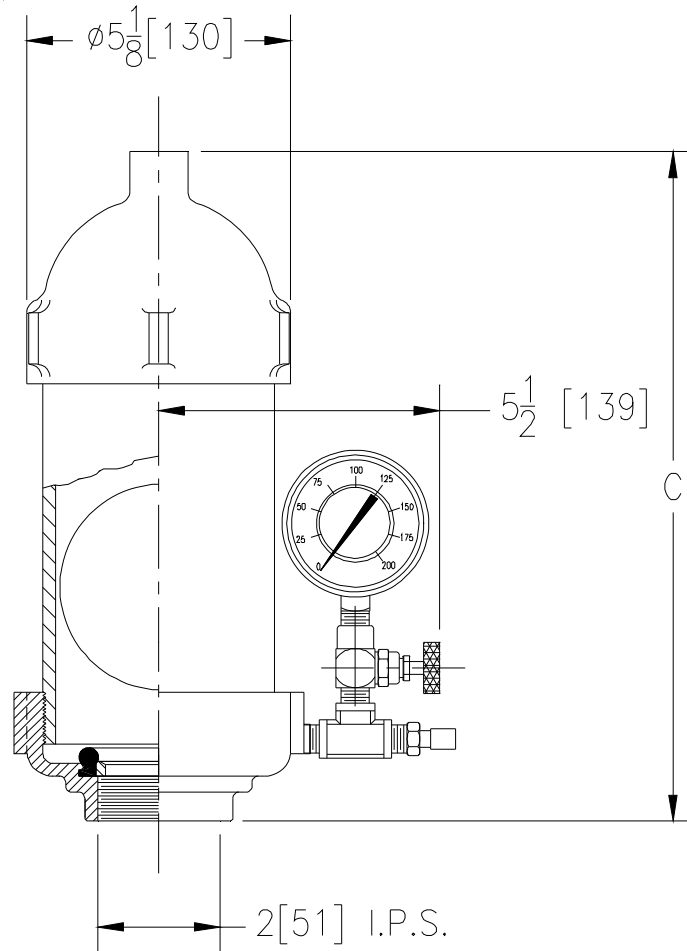




Z1712 ACCUMUTROL WATER HAMMER ARRESTORS

SPECIFICATION SHEET
TAG _____

Dimensional Data (inches and [mm]) are Subject to Manufacturing Tolerances and Change Without Notice



Size	C Inches	Approx. Wt. Lbs. [kg]
2000	13 [330]	20 [9]
4000	21 [533]	28 [13]
6000	29 [737]	36 [16]
8000	37 [940]	44 [20]
10000	45 [1143]	52 [24]
12000	53 [1346]	60 [27]
14000	61 [1549]	68 [31]
16000	69 [1753]	76 [34]

ENGINEERING SPECIFICATION: ZURN Z1712 Shock associated with solenoid or other quick-closing valves serving heavy equipment such as laundry machines, dishwashers, etc. shall be controlled by installation of ZURN Z1712 ACCUMUTROL, complete with floating stainless steel spherical piston, surge chamber, valve and gauge assembly. Specify size and location.

Note: Maximum Temperature: 500°F [260°C].
Maximum Pressure: 200PSI [1379 kPa] Residual.

PREFIXES

_____ Z Bronze surge chamber, Viton valve seat and stainless steel spherical piston.*

REV. A	DATE: 11/15/10	C.N. NO. 120380
DWG. NO. 59411	PRODUCT NO. Z1712	

*REGULARLY FURNISHED UNLESS OTHERWISE SPECIFIED