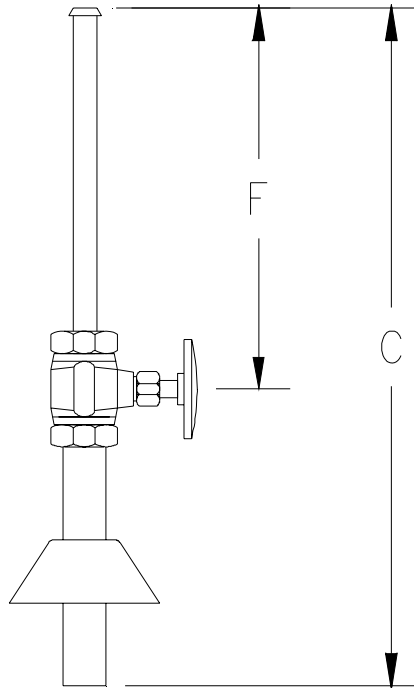




STANDARD STOP W/ RIGID STRAIGHT LAVATORY SUPPLY

Z8811LR-PC TO Z8811LRLK-PC TAG _____

Engineering Specification: Zurn Z8811LR-PC TO Z8811LRLK-PC – Two Zurn chrome-plated, solid brass stops with 3/8 [10] solid threaded connections and chrome-plated brass nipples complete with reducers and chrome-plated steel flanges. Stop valve is fitted with a stuffing box for secondary leak protection.



PRODUCT NUMBER	DIMENSIONS		MASTER CARTON	WEIGHT CARTON	
	C	F		LR	LRLK
Z8811LR-PC	33[838]	17[432]	15	45	
Z8811LRLK-PC	33[838]	17[432]	15		45

OPTIONAL ACCESSORIES

Suffix	Description
_____ -C1	Standard Line Lock Shield Cap on Z8811LRLK Only
_____ -CE	Chrome Plated, Cast Brass, Flange with setscrew
_____ -XP	Cross Handle on Z8811LR only

ZURN INDUSTRIES, LLC ♦ COMMERCIAL BRASS OPERATION ♦ 2640 SOUTH WORK STREET ♦ FALCONER NY 14733

Phone: 1-716-665-1132 ♦ Fax: 1-716-665-1135 ♦ World Wide Web: www.zurn.com

In Canada: ZURN INDUSTRIES LIMITED ♦ 3544 Nashua Drive ♦ Mississauga, Ontario L4V1L2 ♦ Phone: 905/405-8272 Fax: 905/405-1292