



Z6203-_____-YB-YC

Exposed Flush Valve for Urinals

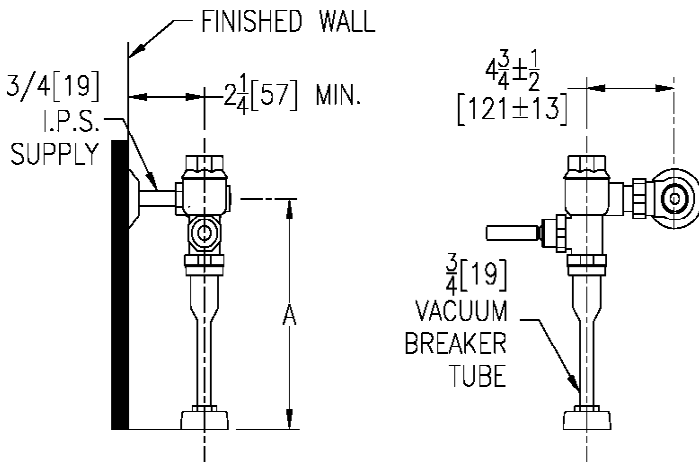
TAG _____

Architectural/Engineering Specification:

Zurn Metroflush piston flush valves are equipped with a chloramine-resistant piston with clog-resistant filtered bypass and chemical-resistant gaskets and seals for extended service life with lower maintenance costs. Requiring direct contact from the user to activate a flush via a handle, these valves are the cornerstone of the Zurn flush valve portfolio. Exposed flush valves offer ease of access and utility for everyday projects, with all working components in view. These installations are the most common, with easier access for servicing and retrofit.

Product Features:

- Piston with clog-resistant filtered by-pass, chloramine-resistant seals, and low-lead brass alloys
- ADA compliant handle with non-hold open and no-leak handle features
- Control stop with internal siphon-guard protection, sweat solder kit, and cast wall flange with set screw
- Vacuum breaker kit for high back pressures
- Chloramine-resistant internal seals
- Adjustable tailpiece
- Spud coupling and flange for top spud connection.



Rough-in/Overview Dimensions

Compliance and Certification:

- ADA Approved
- Watersense Compliant



Flow Options:

	Flush Volume	WaterSense* Labeled
-ULF	0.125 gpf	✓
-EWS	0.5 gpf	✓
-WS1	1.0 gpf	

Valve Height Options:

	A
Standard	11 1/2" [292]
-1	16" [406]
-2	24" [610]
-3	27" [686]

Suffix Options:

- BG BioCare Handle
- L 1" [25] Metal Push Button
- VC Vandal Resistant Stop Cover
- YB Sweat Solder Kit- Exposed
- YC Cast Wall Flange
- YJ Split Ring Pipe Support
- YK Solid Ring Pipe Support

Architectural/Engineering Approval

The information contained in this document is subject to change without notice. Please contact Zurn for most up to date information.

This product should be used with a WaterSense labeled counterpart with a compatible flush volume to ensure that the entire system meets the requirements for water efficiency and performance.

