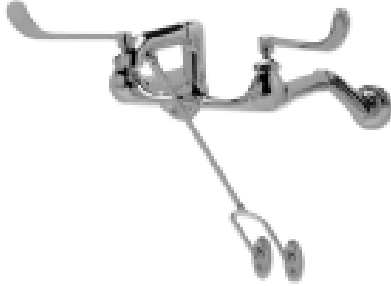




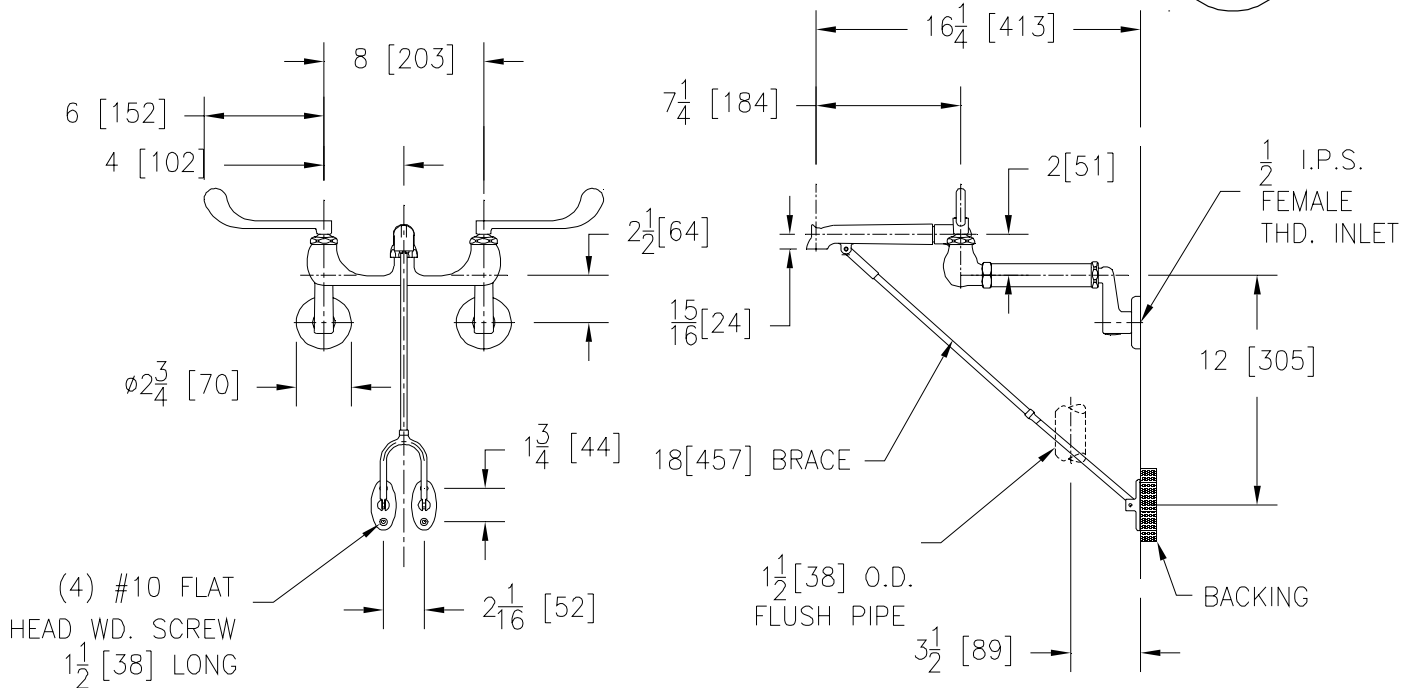
CLINICAL SERVICE SINK FAUCET

Z842D6-LSI-LVB-PE-5XT

TAG _____



Engineering Specification: Zurn AquaSpec® Z842D6-LSI-LVB-PE-5XT
 Polished chrome-plated cast brass 8" [203mm] clinical service sink faucet with quarter-turn ceramic disc cartridges, 2 1/2" [64mm] long swivel inlets (with integral stops) providing adjustable centers from 3" [76mm] to 13" [330mm] and a 7 1/8" [181mm] centerline cast brass, plain end spout with a pail hook and a forked bottom brace. Unit is furnished with 6" [152mm] vandal-resistant color-coded metal wrist blade handles.



Note: All dimensions are for reference only. Do not use for pre-plumbing.

OPTIONAL ACCESSORIES

Suffix	Description
___-CS	Check Stops
___-HCT	Hot/Cold Text Indexes
___-RC	Rough Chrome Plated

ZURN INDUSTRIES, LLC ♦ COMMERCIAL BRASS OPERATION ♦ 2640 SOUTH WORK STREET ♦ FALCONER NY 14733

Phone: 1-716-665-1132 ♦ Fax: 1-716-665-1135 ♦ World Wide Web: www.zurn.com

In Canada: ZURN INDUSTRIES LIMITED ♦ 3544 Nashua Drive ♦ Mississauga, Ontario L4V1L2 ♦ Phone: 905/405-8272 Fax: 905/405-1292