



CENTERSET METERING

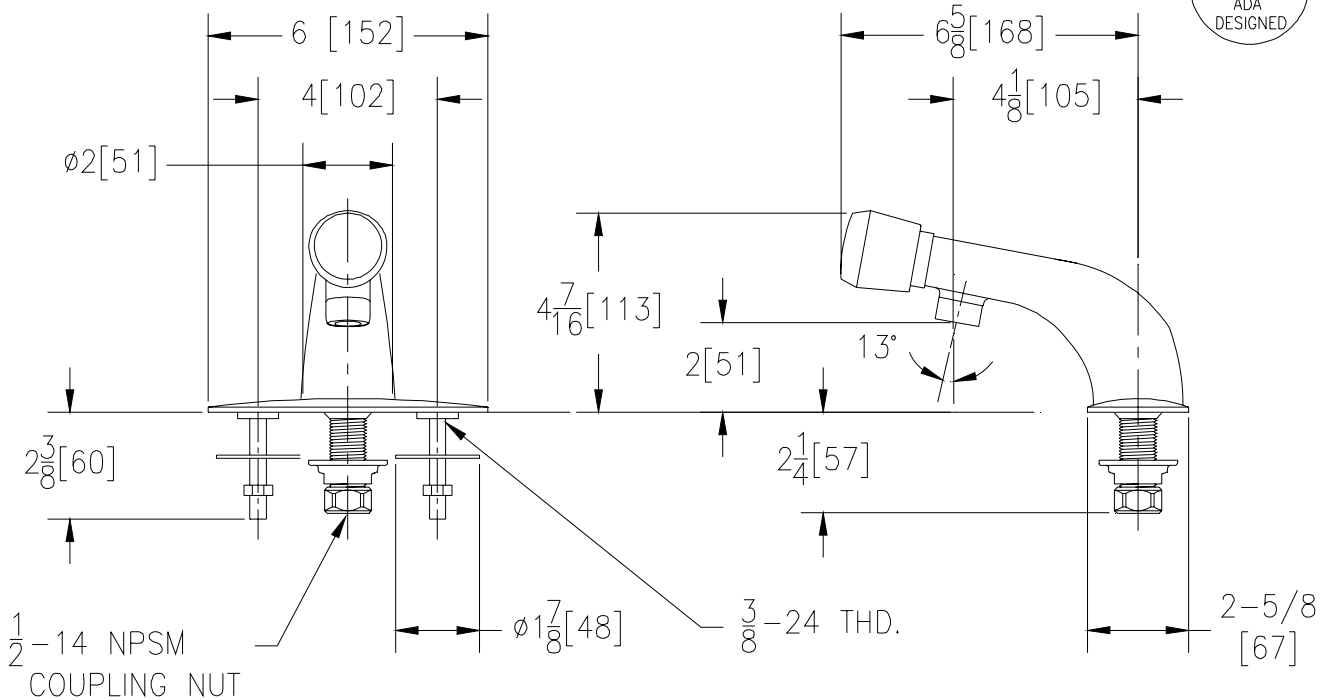
Z86300-CP4

TAG _____



Engineering Specifications: Zurn AquaSpec® Z86300-CP4

Polished chrome-plated single lavatory, slow-closing metering faucet with an integral shank and a 4-1/8" [105mm] long integral cast spout. Easy adjustable cycle time, preset to 10 seconds at 80 PSI. Unit is furnished with a water-conserving aerator which reduces flow to .25 GPC [1.0 GPM] (complying with ANSI A112.18.1 Standard for flow), 4" [102mm] centers, cast metal chrome plated cover plate, anti-rotation pins, integral shank filter, mounting hardware, and a 1/2" NPSM coupling nut for a standard lavatory riser. Requires less than 5 pounds force to activate per ANSI A117.1.



Note: All dimensions are for reference only. Do not use for pre-plumbing

OPTIONAL ACCESSORIES

Suffix	Description
___-CS	Check Stop
___-G	1-1/4" [32mm] Grid Strainer Drain
___-GH	1-1/4" [32mm] Offset Handicap Grid Drain
___-IN	Institutional Handle - Tamper-Proof and Vandal-Resistant
___-MY	Mixing Yoke
___-MYCS	Mixing Yoke with Check Stops
___-PT	1-1/4" [32mm] Cast Brass P-Trap with a 7-1/2" [191mm] Long 17-Gauge Wall Bend
___-3M	0.5 GPM [1.9L] Vandal-Resistant Pressure Compensating Male Spray Outlet
___-16M	1.0 GPM [3.8 L] Vandal-Resistant Pressure Compensating Male Spray Outlet
___-21M	1.0 GPM [3.8L] Male Laminar Flow Outlet
___-22M	1.0 GPM [3.8L] Vandal-Resistant Male Laminar Flow Outlet

ZURN INDUSTRIES, LLC ♦ COMMERCIAL BRASS OPERATION ♦ 2640 SOUTH WORK STREET ♦ FALCONER NY 14733

Phone: 1-800-997-3876 ♦ Fax: 1-919-775-3541 ♦ www.zurn.com

In Canada: ZURN INDUSTRIES LIMITED ♦ 3544 Nashua Drive ♦ Mississauga, Ontario L4V1L2 ♦ Phone: 905/405-8272 Fax: 905/405-1292