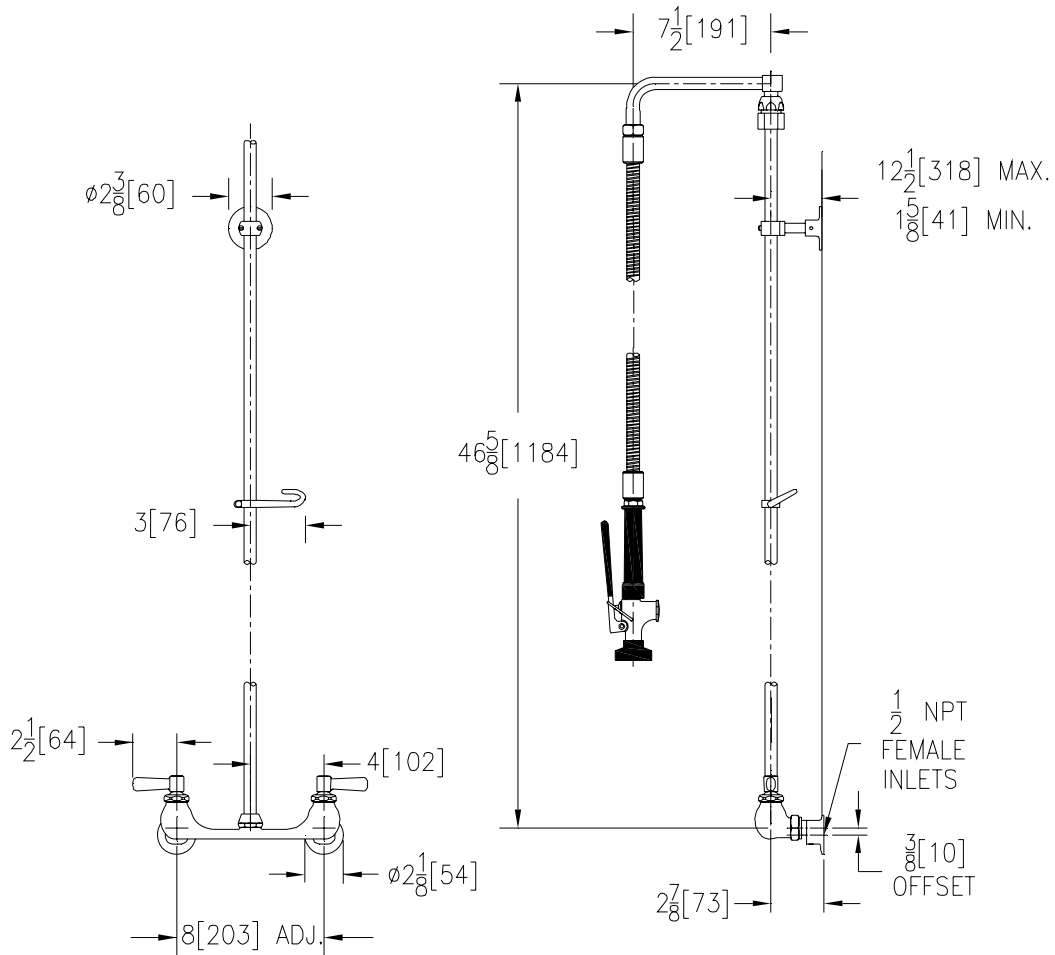


Engineering Specification: Zurn AquaSpec® Z842W1

Polished chrome plated cast brass 8" [203mm] pre-rinse faucet with quarter turn ceramic disc cartridges, 3/8" [10mm] short swivel inlets with check stops providing adjustable centers from 7-1/4" [184mm] to 8-3/4" [222mm] and 2-1/2" [64mm] vandal resistant color-coded metal lever handles. Unit is furnished with a 44" [112cm] riser, a 7-1/2" [191mm] swing spout, a 36" [914mm] flexible stainless steel hose, a self-closing 1.6 GPM @ 60 psi (6.1 L/min. @ 400 kPa) pre-rinse hand held valve with an insulated handle, a stay open clip, a protective bumper spray head, a pipe support and a hose hook.



Note: All dimensions are for reference only. Do not use for pre-plumbing

OPTIONAL ACCESSORIES

Suffix	Description
___ -H___	Stainless Steel Hose (Specify Length 36", 48", 60" or 72")
___ -HCT	Hot/Cold Text Indexes
___ -LSI	2-1/2" [64mm] Long Swivel Inlets with Integral Stops
___ -PR2	Angled Self-closing Pre-rinse Valve
___ -PR3	Angled Aerated Self-closing Pre-rinse Valve
___ -RC	Rough Chrome Plated