



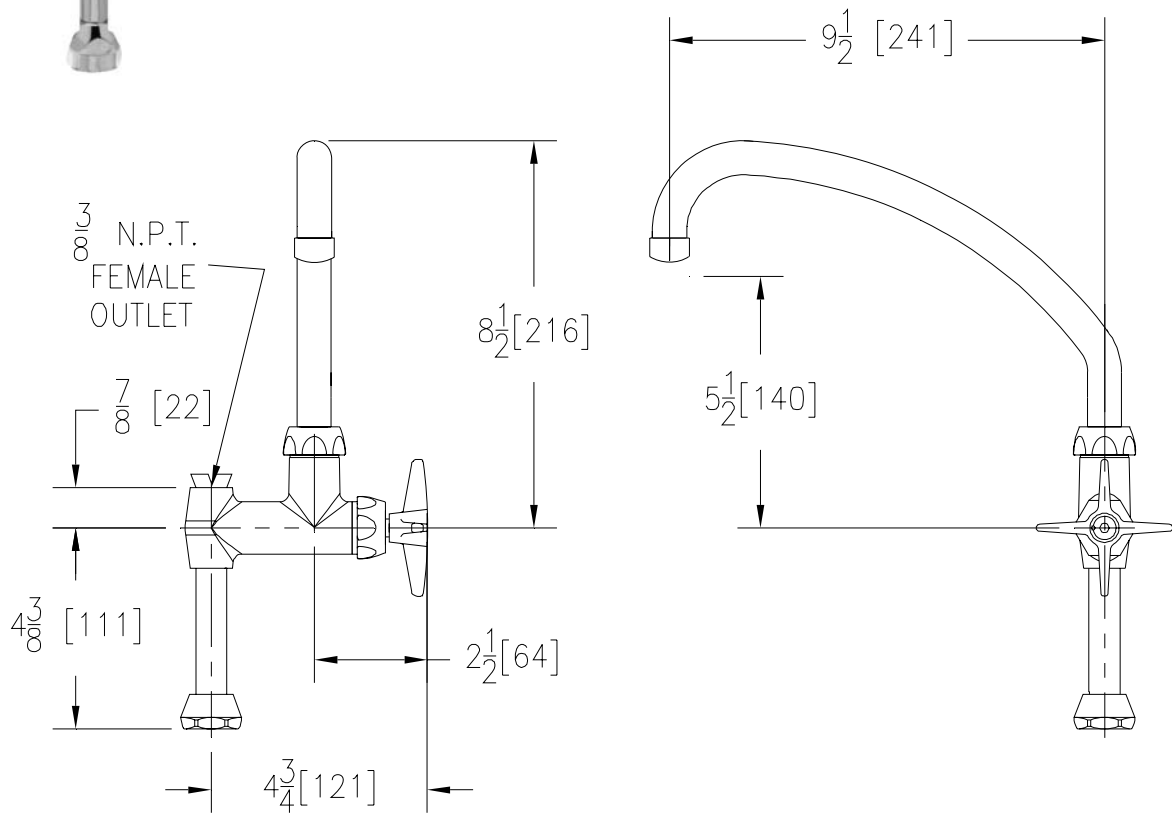
FOOD SERVICE

Z800J2-AF-11F

TAG _____



Engineering Specification: Zurn AquaSpec® Z800J2-AF-11F
Polished chrome-plated add on faucet with a quarter turn ceramic disc cartridge, a 9 1/2" [241mm] swing spout with a single screen outlet and a vandal resistant color-coded metal four arm handle. Unit is furnished with a 3/8" outlet for a riser connection and the inlet threads fit to all standard body outlets.



Note: All dimensions are for reference only. Do not use for pre-plumbing.

OPTIONAL ACCESSORIES

- ___ -HCT Hot/Cold Text Indexes
- ___ -15F Full Flow Outlet

ZURN INDUSTRIES, INC. ♦ COMMERCIAL BRASS OPERATION ♦ 2640 SOUTH WORK STREET ♦ FALCONER NY 14733

Phone: 1-716-665-1132 ♦ Fax: 1-716-665-1135 ♦ World Wide Web: www.zurn.com

In Canada: ZURN INDUSTRIES LIMITED ♦ 3544 Nashua Drive ♦ Mississauga, Ontario L4V1L2 ♦ Phone: 905/405-8272 Fax: 905/405-1292