



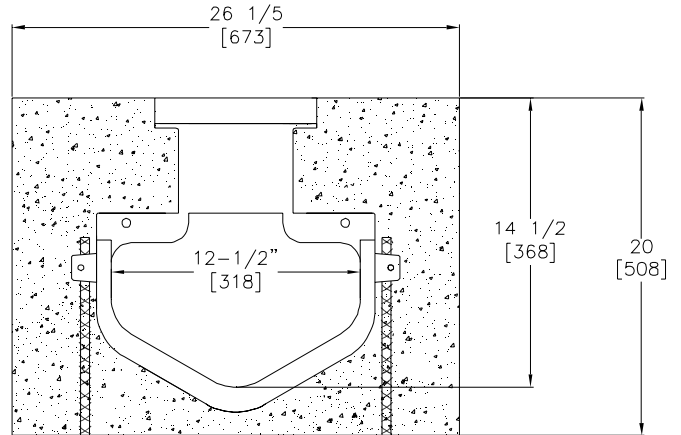
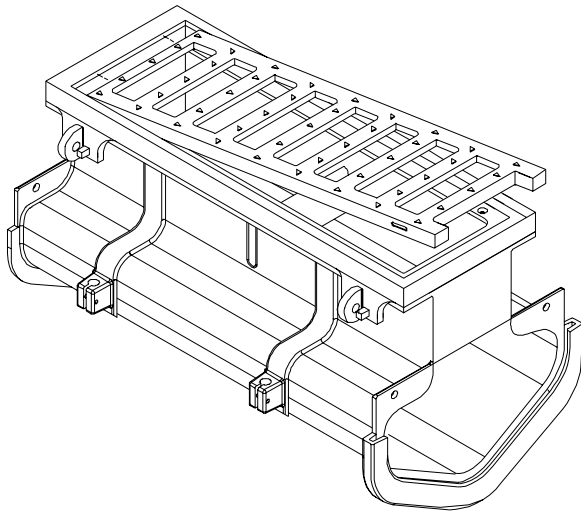
Z889-12

12 [305] HI-CAP SLOTTED DRAINAGE SYSTEM CLEANOUT PORT

SPECIFICATION SHEET

TAG _____

Dimensional Data (inches and [mm]) are Subject to Manufacturing Tolerances and Change Without Notice



ENGINEERING SPECIFICATION

Zurn Z889-12 [305] 8 [203] wide linear low density polyethylene cleanout port. 24[610]long modular cleanout with specified frame and grate, mechanically interlocking joints, integral rebar clips, and smooth radiused interior. Regularly furnished with the Ductile Iron Frame/Grate, which allows access to the system.

OPTIONS

- _____ -E1 End Cap
- _____ -E4 4 [102] No Hub End Outlet
- _____ -E6 6 [152] No-Hub End Outlet
- _____ -E8 8 [203] No-Hub End Outlet
- _____ -E12 12 [305] No Hub End Outlet
- _____ -GDG Ductile Iron Galvanized Frame & Grate
- _____ -HPD Heelproof Ductile Iron Grate
- _____ -HPG Heelproof Ductile Iron Galvanized Frame &Grate
- _____ -T12 [305] / 18 [457] Transition from -12 [305] To -18 [457]
- _____ -T18 [457] / 12 [305] Transition from -18 [457] To -12 [305]

REV. E DATE: 5/15/07 C.N. NO. 109443
 DWG. NO. 62264 PRODUCT NO. Z889-12

ZURN INDUSTRIES, LLC, FLO-THRU OPERATION, 2640 South Work Street, Falconer, NY 14733

Phone: 716/665-1132, Fax: 716/665-1135, World Wide Web: www.zurn.com

In Canada: ZURN INDUSTRIES LIMITED, 3544 Nashua Drive, Mississauga, Ontario L4V1L2, Phone: 905/405-8272 Fax: 905/405-1292

In UK: Zurn Industries Ltd, Riverside Rd, Pottington Business Park, Barnstaple, Devon EX31 1QN, Phone 01271-340350 Fax 01271-344660