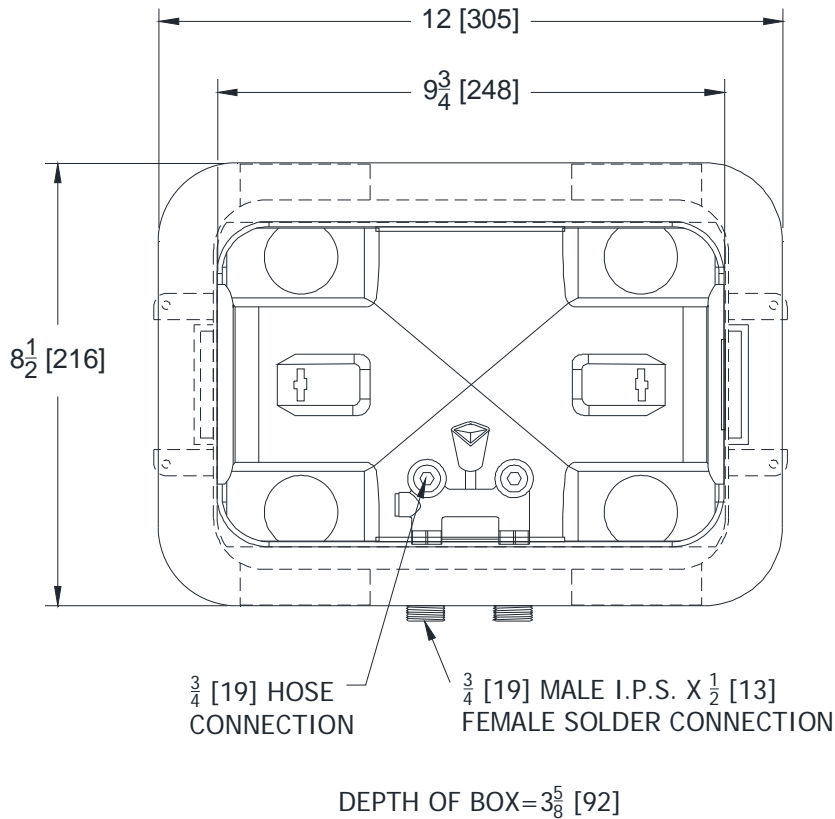


Dimensional data (inches and [mm]) are subject to manufacturing tolerances and change without notice.



Model Number	Connections Inches [mm]	Approx. Wt. Lbs. [cm ²]
WM2961-34	3/4 [19] M.I.P. x 1/2 [13] Solder Inlet	3 [1]

ENGINEERING SPECIFICATION: ZURN WM2961

Encased washing machine valve designed to improve overall appearance of the laundry room. Complete with single lever handle valve, heavy-duty mounting straps, knockouts for a right or left mounting, and a 1-1/2" [38mm] x 2" [51mm] tailpiece that adapts easily to either ABS or PVC standpipe.

- ⚠ **WARNING:** Cancer and Reproductive Harm - www.P65Warnings.ca.gov
- ⚠ **ADVERTENCIA:** Cáncer y daño reproductivo - www.P65Warnings.ca.gov
- ⚠ **AVERTISSEMENT:** Cancer et effets néfastes sur la reproduction - www.P65Warnings.ca.gov

*Regularly furnished unless otherwise specified.