



Z888-12-HD

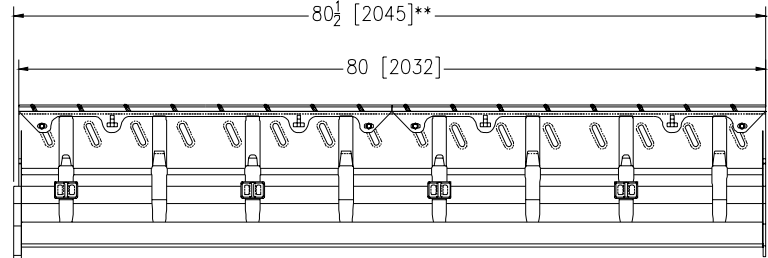
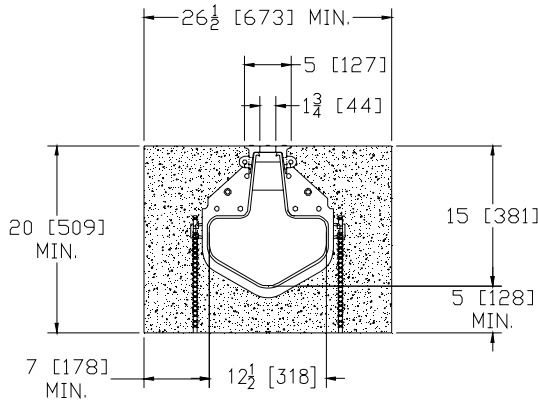
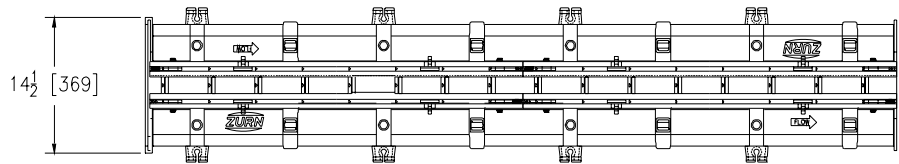
SPECIFICATION SHEET

HI-CAP SLOTTED DRAINAGE SYSTEM WITH HEAVY-DUTY FRAME FOR 12 [305] CORRUGATED PIPE OR EQUIVALENT

TAG _____

Dimensional Data (inches and [mm]) are Subject to Manufacturing Tolerances and Change Without Notice

Specifying engineer is responsible for concrete encasement and reinforcing based upon application and local codes.



** 80 1/2 [2045] LENGTH INCLUDES MALE/FEMALE JOINT OVERLAP

ENGINEERING SPECIFICATION: Zurn Z888-12-HD Slotted Drain channel is 80 [2032] long, 15 [381] deep invert, 12.5 [318] wide with a 1.75 [44] throat width, made from LLDPE linear Low Density Polyethylene. Channels have a mechanical tongue and groove and bolted connection, mechanically lock into the concrete surround every 5 [127] along its length, channels weigh 5.6 lbs. per foot [8.3 kg per meter]. Channel has a smooth 2.5 [64] radiused bottom with a smooth .011 Manning's coefficient, and neutral non-sloping body. Top reveal is non removable and is the finish at the surface, System is anchored into the concrete with Rebar clips or physical anchors every 5 [127] to 10 [254] along the channel body. Integral Rebar Clips are standard. The Channel has a non-removable ductile Iron Frame/Grate conforming to ASTM A536-84, Grade 80-55-06. Minimum 2000 psi concrete encasement shall include longitudinal #4 0.5 [13] rebar along chairs on either side of the trench neck. System is capable of Supporting Class C Loading per DIN EN1433 Top Load Classification.

PREFIX OPTIONS

____ Z 80 [2032] linear low density polyethylene modular drain channel with integral top frame.*

FRAME OPTIONS

____ -HDG Galvanized Ductile Iron Frame with Slot
____ -DYN Dynamic Loading Application

SUFFIX OPTIONS

____ -E1 End Cap
____ -E4 4 [102] No Hub End Outlet
____ -E6 6 [152] No Hub End Outlet
____ -E8 8 [203] No Hub End Outlet
____ -E12 12 [305] No Hub End Outlet
____ -T12/18 Transition from -12 [305] to -18 [457]
____ -T18/12 Transition from -18 [457] to -12 [305]

REV. A	DATE: 08/24/10	C.N. NO. 111588
DWG. NO. 64000	PRODUCT NO. Z888-12-HD	

*Regularly Furnished Unless Otherwise Specified