



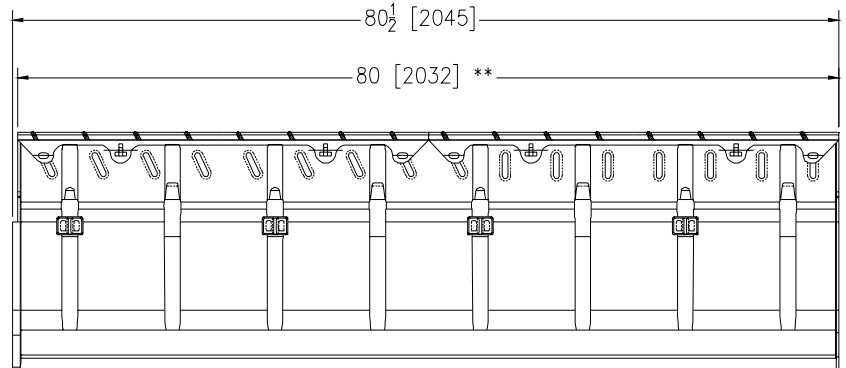
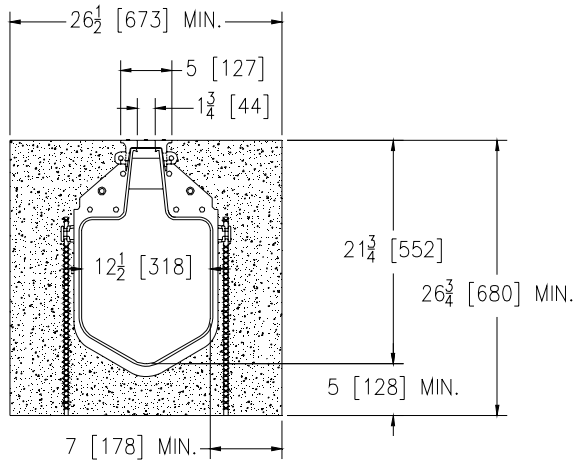
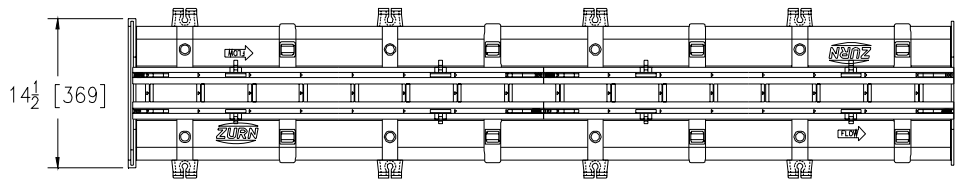
Z888-18-HD

SPECIFICATION SHEET

HI-CAP SLOTTED DRAINAGE SYSTEM WITH HEAVY-DUTY FRAME FOR 18 [457] CORRUGATED PIPE OR EQUIVALENT TAG _____

Dimensional Data (inches and [mm]) are Subject to Manufacturing Tolerances and Change Without Notice

Specifying engineer is responsible for concrete encasement and reinforcing based upon application and local codes.



** 80 1/2 [2045] LENGTH INCLUDES MALE/FEMALE JOINT OVERLAP

ENGINEERING SPECIFICATION: Zurn Z888-18-HD Slotted Drain channel is 80 [2032] long, 21.75 [552] deep invert, 12.5 [318] wide with a 1.75 [44] throat width, made from LLDPE linear Low Density Polyethylene. Channels have a mechanical tongue and groove and bolted connection, mechanically lock into the concrete surround every 5 [127] along its length, channels weigh 7.5 lbs. per foot [11.2 kg per meter]. Channel has a smooth 2.5 [64] radiused bottom with a smooth .011 Manning's coefficient, and neutral non-sloping body. Top reveal is non removable and is the finish at the surface, System is anchored into the concrete with Rebar clips or physical anchors every 5 [127] to 10 [254] along the channel body. Integral Rebar Clips are standard. The Channel has a non-removable ductile Iron Frame/Grate conforming to ASTM A536-84, Grade 80-55-06. Minimum 2000 psi concrete encasement shall include longitudinal #4 0.5 [13] rebar along chairs on either side of the trench neck. System is capable of Supporting Class C Loading per DIN EN1433 Top Load Classification.

PREFIX OPTIONS

____ **Z** 80 [2032] linear low density polyethylene modular drain channel with integral top frame.*

FRAME OPTIONS

____ **-HDG** Galvanized Ductile Iron Frame with Slot
____ **-DYN** Reinforcing Schedule for Higher Loading

SUFFIX OPTIONS

____ **-E1** End Cap
____ **-E8** 8 [203] No Hub End Outlet
____ **-E12** 12 [305] No Hub End Outlet
____ **-E18** 18 [457] No Hub End Outlet
____ **-E24** 24 [610] No Hub End Outlet
____ **-T12/18** Transition from -12 to -18 [305-457]
____ **-T18/12** Transition from -18 to -12 [457-610]
____ **-T18/36** Transition from -18 to -36 [457-914]

*Regularly Furnished Unless Otherwise Specified

REV. A	DATE: 08/31/10	C.N. NO. 111634
DWG. NO. 64001	PRODUCT NO. Z888-18-HD	

ZURN INDUSTRIES, LLC. ♦ SPECIFICATION DRAINAGE OPERATION ♦ 1801 Pittsburgh Ave. ♦ Erie, PA 16514

Phone: 814/455-0921 ♦ Fax: 814/454-7929 ♦ World Wide Web: www.zurn.com

In Canada: ZURN INDUSTRIES LIMITED ♦ 3544 Nashua Drive ♦ Mississauga, Ontario L4V1L2 ♦ Phone: 905/405-8272 Fax: 905/405-1292