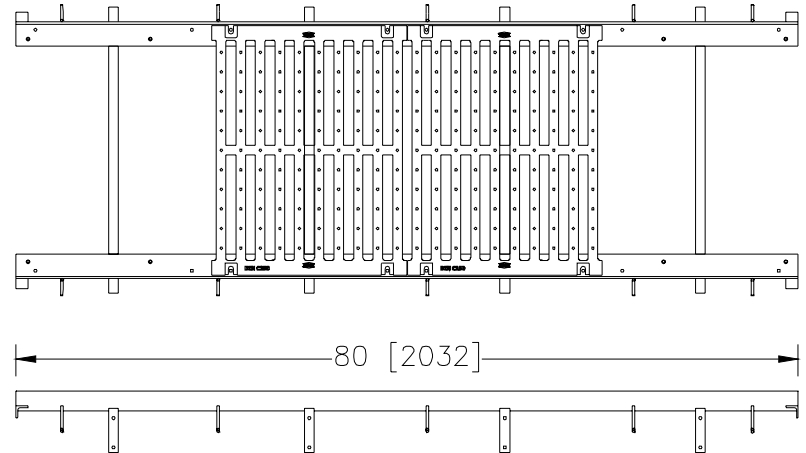
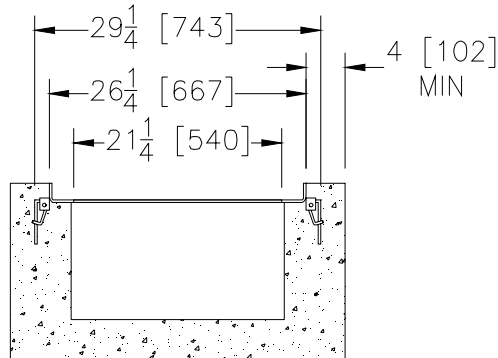




Dimensional Data (inches and [mm]) are Subject to Manufacturing Tolerances and Change Without Notice

SPECIFYING ENGINEER IS RESPONSIBLE FOR CONCRETE ENCASEMENT AND REINFORCING BASED UPON APPLICATION AND LOCAL CODES

**ENGINEERING SPECIFICATION: Zurn Z726**

Frame and Grate System shall be 80 [2032] long, 26-1/4 [667] wide reveal and have a 21 [533] clear opening. Shall mechanically lock into the concrete surround every 10 [254]. Shall be provided with the standard DGC grate, Zurn 25-1/2 [648] wide Ductile Iron Slotted Grate, and lock down to the frame and locks down with 4 bolt anchors per grate. Ductile Iron conforms to ASTM specification A536-84, Grade 80-55-06. Ductile Iron grate is rated class C per the DIN EN1433 top load classifications. Supplied in 20 [508] nominal lengths with 1-1/32 [26] wide slots, and 1-3/4 [44] bearing depth. Grate has an open area of 133 sq. in. per ft. [281530 sq. mm per meter]. The 1/4 [6] thick Carbon Steel Frame Assembly conforms to ASTM specification A36 with 10 - 4 [102] long concrete anchors per 80 [2032]. The frame is supplied with a powder coated finish. All welds must be performed by a certified welder per ASTM standard AWS D1.1. Frames shall be produced in the USA.

PREFIX OPTIONS (Check/specify appropriate options)

Z Six-foot, Eight-inch Heavy Duty Carbon Steel Frame *

SUFFIX OPTIONS (Check/specify appropriate options)**Frame Options**

-CBF Black Acid Resistant Coated Top Frame

Grate Options (Load Classifications are per DIN EN1433)

- DCC Ductile Iron Solid Cover - Class C
- DGC Ductile Iron Slotted Grate - Class C *
- DGF Ductile Iron Slotted Grate - Class F
- GDC Galvanized Ductile Slotted Grate - Class C
- GDF Galvanized Ductile Slotted Grate - Class F
- HPD Heel-Proof Longitudinal Ductile Slotted Grate - Class C

Miscellaneous Options

- RC Rebar Clip (Set of 2)
- VP Vandal-Proof Lockdown Assembly

MADE in the U.S.A.

- DGE-USA Ductile Iron Slotted Grate - Class E
- GDE-USA Galvanized Ductile Slotted Grate - Class E

Miscellaneous Options

- CBF Black Acid Resistant Coated Frame
- GFA Galvanized Frame Assembly
- SF Type 304 Stainless Steel Top Frame

REV. F DATE: 05/05/11 C.N. NO. 121230

DWG. NO. 64009

PRODUCT NO. Z726

*REGULARLY FURNISHED UNLESS OTHERWISE SPECIFIED

ZURN INDUSTRIES, LLC ♦ SPECIFICATION DRAINAGE OPERATION ♦ 1801 Pittsburgh Ave. ♦ Erie, PA 16514

Phone: 814/455-0921 ♦ Fax: 814/454-7929 ♦ World Wide Web: www.zurn.com

In Canada: ZURN INDUSTRIES LIMITED ♦ 3544 Nashua Drive ♦ Mississauga, Ontario L4V1L2 ♦ Phone: 905/405-8272 Fax: 905/405-1292