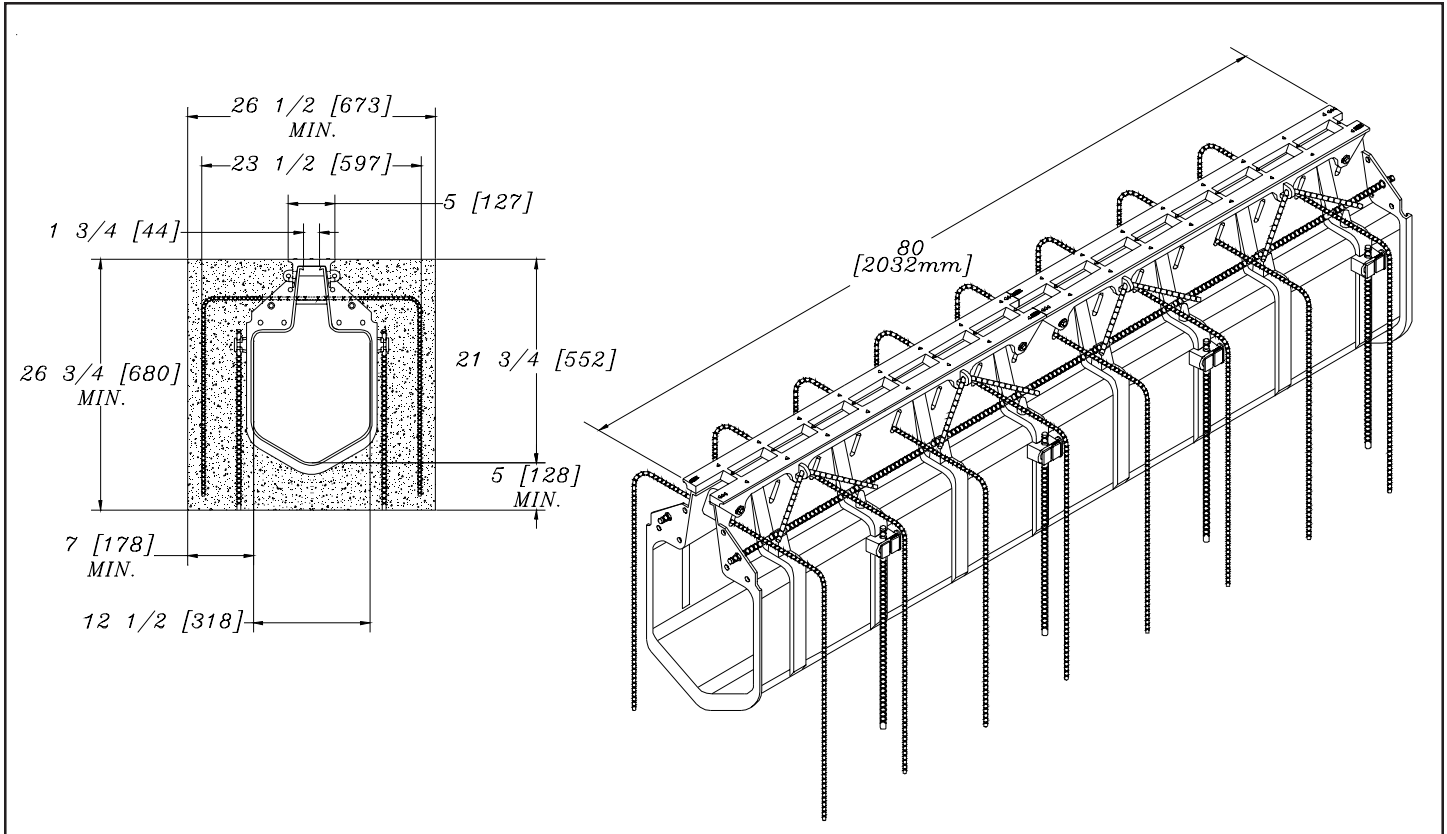




**Z-888-18-DYN
HI-CAP
SLOTTED DRAINAGE SYSTEM**



ENGINEERING SPECIFICATION

Zurn Z-888-18-DYN 13" wide 1 3/4" Hi-Cap slotted drainage system. Linear low density polyethylene modular drain channel with smooth non-stick, non-corrosive interior and 0% water absorption. 80" modular sections with integral frame, mechanically interlocking joints and smooth radiused interior. Integral tie-down/leveling devices at 20" intervals, U-shaped tensile strength rebar (#4) at 10" intervals, 4,000 psi concrete encasement, and load distribution rebar stances with continuous lengths of rebar (#4) for structural integrity. **(Rebar, wire, and 4,000 psi concrete to be supplied by other.)**

PREFIX OPTIONS

Z*- 80" linear low density polyethylene modular drain channel with integral top frame.

FRAME OPTIONS (must choose one)

- _____ **-DGF** Ductile Iron Galvanized Frame
- _____ **-DF** Ductile Iron Black Dura Coated Frame
- _____ **-FK** Vertical Side Inlet Top Frame Flo-Kerb
- _____ **-HPD** Heelproof Ductile Iron Grate
- _____ **-HPG** Heelproof Ductile Iron Galvanized frame/grate
- _____ **-HPS** Heelproof Cast Stainless frame/grate
- _____ **-PSF** Pre-sloped Frame(slope_____, and length of run_____)
- _____ **-SF** Cast Stainless Frame

SUFFIX OPTIONS

- _____ **-E1** End Cap
- _____ **-E8** 8" No Hub End Outlet
- _____ **-E12** 12" No Hub End Outlet
- _____ **-E18** 18" No Hub End Outlet
- _____ **-E24** 24" No Hub End Outlet
- _____ **-T12/18** Transition from -12 to -18
- _____ **-T18/12** Transition from -18 to -12
- _____ **-T18/36** Transition from -18 to -36

*Regularly Furnished Unless Otherwise Specified

REV.B	DATE: 12/05/03	C.N. NO. 101114
DWG. NO. 64091	PRODUCT NO. Z-888-18-DYN	

ZURN INDUSTRIES, INC., FLO-THRU DIV., 2640 South Work Street, Falconer, NY 14733
Phone: 716/665-1132, Fax: 716/665-1135, World Wide Web: www.zurn.com

In Canada: ZURN INDUSTRIES LIMITED, 3544 Nashua Drive, Mississauga, Ontario L4V1L2, Phone: 905/405-8272 Fax: 905/405-1292
In UK: Zurn Industries Ltd, Riverside Rd, Pottington Business Park, Barnstaple, Devon EX31 1QN, Phone 01271-340350 Fax 01271-344660