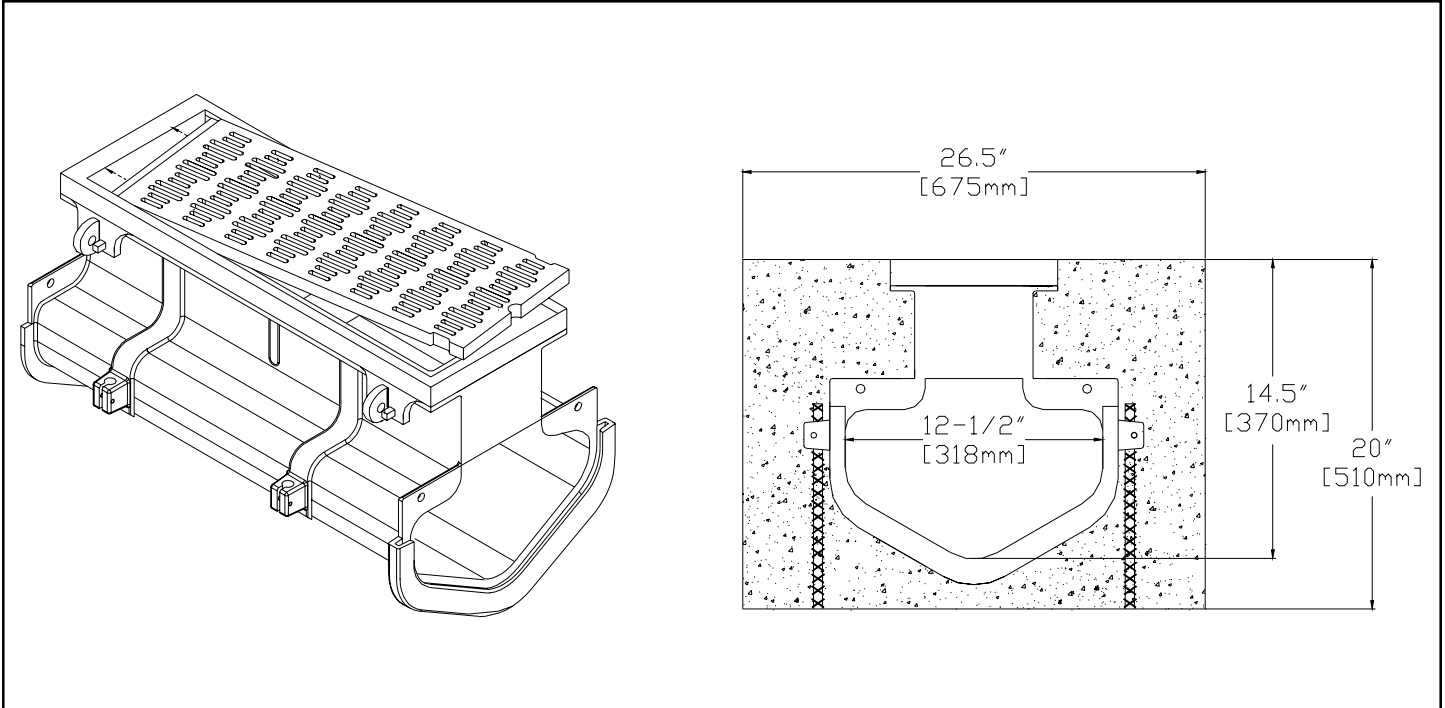




Z-889-12-HPD HI-CAP SLOTTED DRAINAGE SYSTEM HEELPROOF CLEANOUT PORT



ENGINEERING SPECIFICATION

Zurn Z-889-12-HPD 8" [203mm] wide linear low density polyethylene cleanout port. 24" [610mm] long modular cleanout with specified ADA compliant Ductile Iron frame and grate, mechanically interlocking joints, integral rebar clips, and smooth radiused interior. Regularly furnished with the Ductile Iron Frame/Grate, which allows access to the system.

OPTIONS

| | |
|-----------|---|
| — -E1 | End Cap |
| — -E4 | 4" [102mm] No Hub End Outlet |
| — -E6 | 6" [152mm] No-Hub End Outlet |
| — -E8 | 8" [203mm] No-Hub End Outlet |
| — -E12 | 12" [305mm] No Hub End Outlet |
| — -HPG | Heelproof Ductile Iron Galvanized Frame/Grate |
| — -HPS | Heelproof Cast Stainless Frame/Grate |
| — -T12/18 | Transition from -12 To -18 |
| — -T18/12 | Transition from -18 To -12 |

| | | |
|----------------|--------------------------|----------------|
| REV. | DATE: 02/10/03 | C.N. NO. 89251 |
| DWG. NO. 64158 | PRODUCT NO. Z-889-12-HPD | |

*Regularly Furnished Unless Otherwise Specified

ZURN INDUSTRIES, INC., FLO-THRU DIV., 2855 Girts Road, Jamestown, NY 14701

Phone: 716/665-1132, Fax: 716/665-1135, World Wide Web: www.zurn.com

In Canada: ZURN INDUSTRIES LIMITED, 3544 Nashua Drive, Mississauga, Ontario L4V1L2, Phone: 905/405-8272 Fax: 905/405-1292

In UK: Zurn Industries Ltd, Riverside Rd, Pottington Business Park, Barnstaple, Devon EX31 1QN, Phone 01271-340350 Fax 01271-344660