



# 4" CENTERSET GOOSENECK

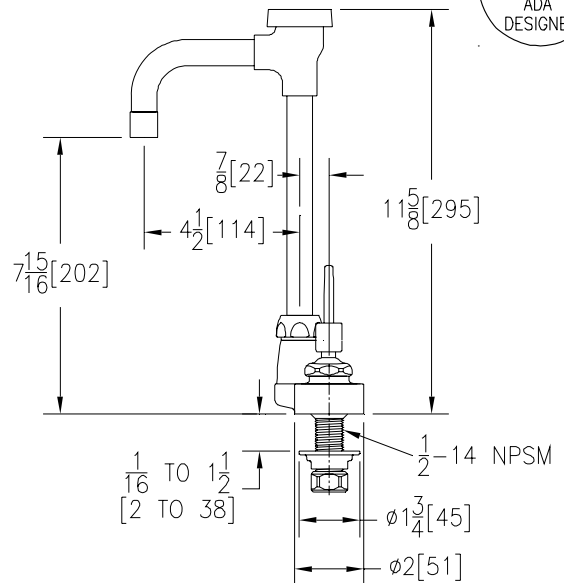
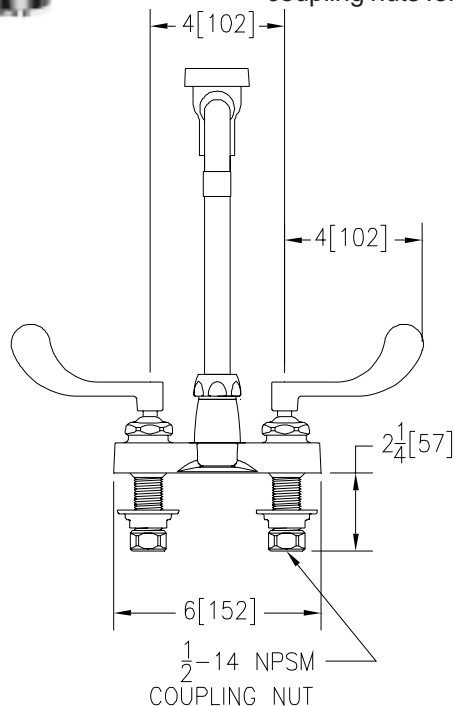
## Z812T4

TAG \_\_\_\_\_



### Engineering Specifications: Zurn AquaSpec® Z812T4

Polished chrome-plated cast brass faucet body with integral shanks, quarter turn ceramic disc cartridges and a 4-1/2" [114mm] centerline rigid gooseneck spout with vacuum breaker. Unit is furnished with a 2.2 GPM [8.3 L] pressure compensating aerator (complying with ANSI A112.18.1 Standard for flow), 4" [102mm] vandal-resistant color-coded metal wrist blade handles, mounting hardware and 1/2" NPSM coupling nuts for standard lavatory risers.



Note: All dimensions are for reference only. Do not use for pre-plumbing.

### OPTIONAL ACCESSORIES

| Suffix   | Description   |
|----------|---|
| ___ -FC  | 2.0 GPM [7.6 L] Laminar Flow Control in Base of Spout                         |
| ___ -G   | 1-1/4" [32mm] Grid Strainer Drain   |
| ___ -HCT | Hot/Cold Text Indexes   |
| ___ -LP  | Low Profile   |
| ___ -P   | 1-1/4" [32mm] Pop-up Drain  |
| ___ -PT  | 1-1/4" [32mm] Cast Brass P-Trap with a 7-1/2" [191mm] Long 17-Gauge Wall Bend |
| ___ -2M  | 2.2 GPM [8.3 L] Vandal-Resistant Pressure Compensating Male Aerator           |
| ___ -3M  | 0.5 GPM [1.9 L] Vandal-Resistant Pressure Compensating Male Aerator           |
| ___ -4M  | 2.2 GPM [8.3 L] Vandal-Resistant Pressure Compensating Male Laminar Flow      |
| ___ -5M  | 2.0 GPM [7.6 L] Male Spray Outlet   |
| ___ -6M  | 2.0 GPM [7.6L] Male Serrated Nozzle Outlet                                    |
| ___ -7M  | 1.0 GPM [3.8 L] Pressure Compensating Male Spray Outlet                       |
| ___ -16M | 1.0 GPM [3.8 L] Vandal Resistant Pressure Compensating Male Spray Outlet      |
| ___ -17M | 1.5 GPM [5.7 L] Vandal Resistant Pressure Compensating Male Aerator           |
| ___ -18M | 1.5 GPM [5.7 L] Vandal Resistant Pressure Compensating Male Laminar Flow      |

ZURN INDUSTRIES, INC. ♦ COMMERCIAL BRASS OPERATION ♦ 2640 SOUTH WORK STREET ♦ FALCONER NY 14733

Phone: 1-716-665-1132 ♦ Fax: 1-716-665-1135 ♦ World Wide Web: www.zurn.com

In Canada: ZURN INDUSTRIES LIMITED ♦ 3544 Nashua Drive ♦ Mississauga, Ontario L4V1L2 ♦ Phone: 905/405-8272 Fax: 905/405-1292