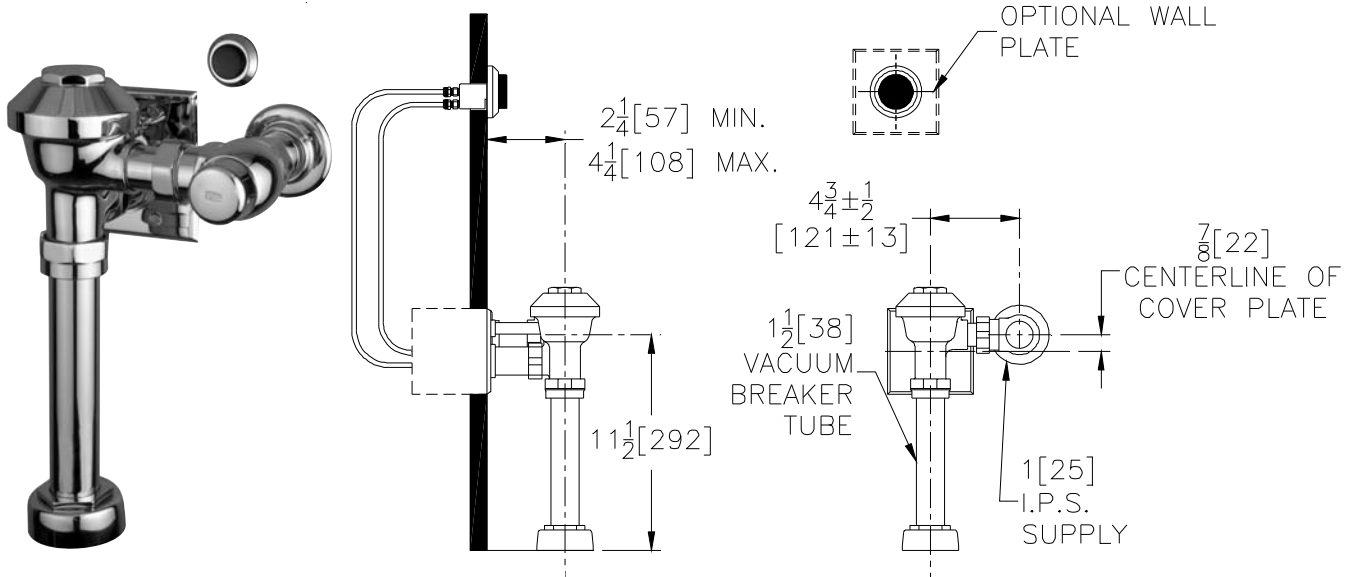




ZH6000AV

Exposed Flush Valve With Hydraulic Actuation
For Water Closets



Flow Options

- HET 1.28 gpf High Efficiency Flush
- WS1 1.6 gpf Low Consumption Flush
- Standard 3.5 gpf
- FF 4.5 gpf Full Flush

Suffix Options (Check/Specify Appropriate Options)

- MB 1"[25] Metal push button Hydraulic Actuator
- SW Side Wall Mounted Hydraulic Actuator
- WP Wall Plate for Push Button (ZP-50)
- YJ Split Ring Pipe Support
- YK Solid Ring Pipe Support
- YO Bumper on Angle Stop
- _____ Other

ENGINEERING SPECIFICATION: ZURN ZH6000AV AquaVantage® 'AV' Exposed Closet Flush Valve with Hydraulic Actuation- Exposed, quiet diaphragm-type, chrome plated, flushometer valve with a polished exterior and Zurn's AquaVantage® TPE, chloramine resistant, dual seal diaphragm with a clog resistant, triple filtered by-pass. The valve is complete with a non-hold open type hydraulic push button actuator that may be located up to 36"[914] (7"[2133] with -SW option) from the valve, high back pressure vacuum breaker, one piece hex coupling nut, adjustable tailpiece, spud coupling and flange for top spud connection. Control stop has internal siphon-guard protection, vandal resistant stop cap, sweat solder kit, and a cast wall flange with set screw. Internal seals are made of chloramine resistant materials. Electrical box supplied by others. (see installation instructions for size and type)

Architectural/Engineering Approval

The information contained in this document is subject to change without notice.
Please contact Zurn for most up to date information.

ZURN INDUSTRIES, LLC. ♦ COMMERCIAL BRASS OPERATION ♦ 5900 ELWIN BUCHANAN DRIVE ♦ SANFORD NC 27330

Phone: 1-800-997-3876 ♦ Fax: 919-775-3541 ♦ World Wide Web: www.zurn.com

In Canada: ZURN INDUSTRIES LIMITED ♦ 7900 Goreway Drive Unit 10 ♦ Brampton, Ontario L6T5W6 ♦ Phone: 905-405-8272 Fax: 905-405-1292