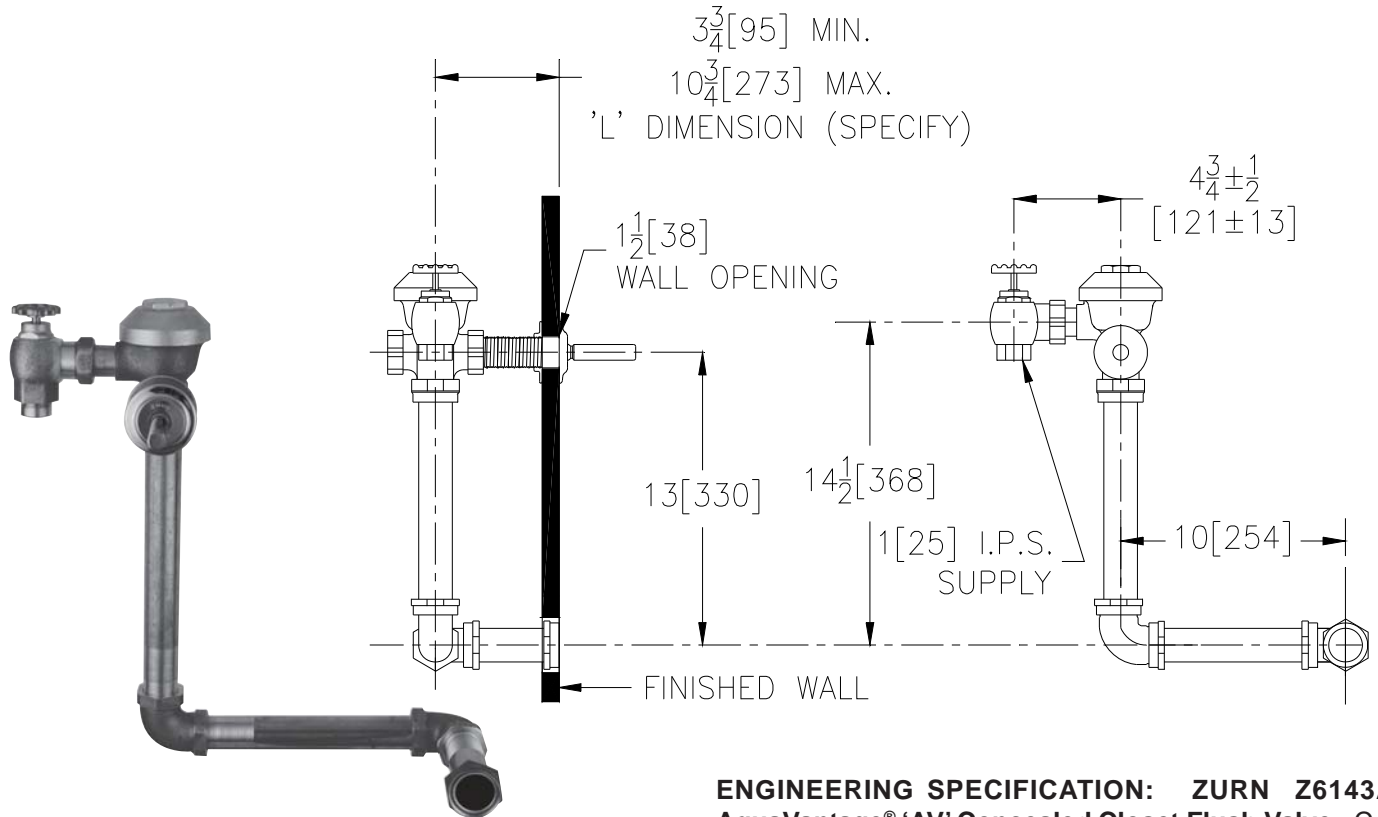




Concealed Z6143AV Model For Water Closets



ENGINEERING SPECIFICATION: ZURN Z6143AV AquaVantage® 'AV' Concealed Closet Flush Valve - Concealed, quiet diaphragm-type, rough brass flushometer valve with Zurn's AquaVantage® TPE, chloramine resistant, dual seal diaphragm with a clog resistant, triple filtered by-pass. The valve is complete with a non-hold open and no leak handle feature, high back pressure vacuum breaker, one piece hex coupling nut, adjustable tailpiece and spud coupling for back spud connection. Control stop has internal siphon-guard protection, and a sweat solder kit. Internal seals are made of chloramine resistant materials.

Flow Options

- HET 1.28 gpf
- WS1 1.6 gpf
- WS 3.5 gpf
- FF 4.5 gpf

Suffix Options (Check/Specify Appropriate Options)

- BG BioCare Handle
- L 1" [25] Metal Push Button
- L3 3" [76] Metal Push Button
- _____ Other

Architectural/Engineering Approval

The information contained in this document is subject to change without notice.
Please contact Zurn for most up to date information.

ZURN INDUSTRIES, LLC. ♦ COMMERCIAL BRASS OPERATION ♦ 5900 ELWIN BUCHANAN DRIVE ♦ SANFORD NC 27330

PHONE: 1-800-997-3876 ♦ FAX: 919-775-3541 ♦ WORLD WIDE WEB: WWW.ZURN.COM

IN CANADA: ZURN INDUSTRIES LIMITED ♦ 3544 NASHUA DRIVE ♦ MISSISSAUGA, ONTARIO L4V1L2 ♦ PHONE: 905-405-8272 FAX: 905-405-1292