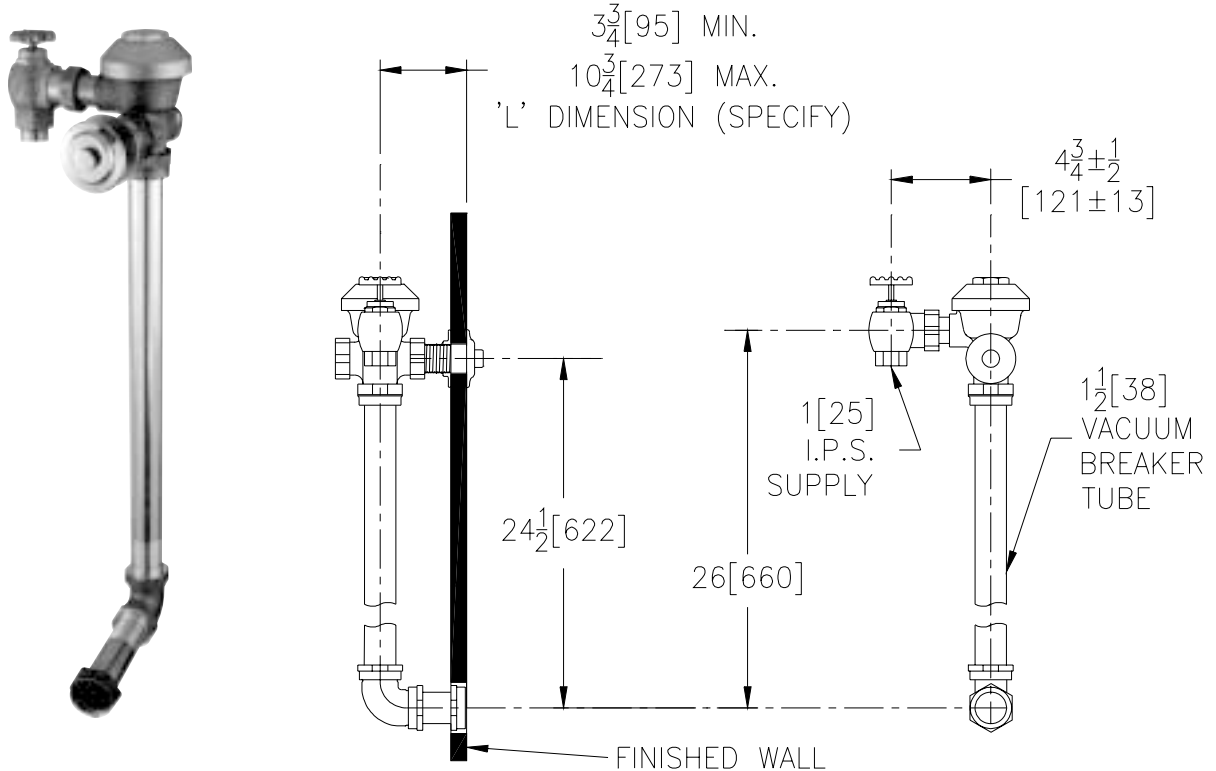




Concealed Z6681AV Model For Penal Water Closet Fixtures



Flow Options

- | | |
|---|--------------------------|
| <input type="checkbox"/> -WS1 | 1.6 Gal. Low Consumption |
| <input type="checkbox"/> -FF | 4.5 Gal. Full Flush |
| <input type="checkbox"/> Standard Flush | 3.5 Gallons Per Flush |

Suffix Options (Check/Specify Appropriate Options)

_____ Other

ENGINEERING SPECIFICATION: ZURN Z-6681AV AquaVantage®

'AV' Concealed Flush Valve For Water Closet- Concealed, quiet diaphragm-type, rough brass flushometer valve with Zurn's AquaVantage® TPE, chloramine resistant, dual seal diaphragm with a clog resistant, triple filtered by-pass. The valve incorporates a non-hold-open, no leak push button with a 1"[25] metal push button, high back pressure vacuum breaker, one piece hex coupling nut, adjustable tailpiece and spud coupling for back spud connection. Control stop has internal siphon-guard protection and sweat solder kit. Internal seals are made of chloramine resistant materials.

This space is for Architectural/engineering Approval