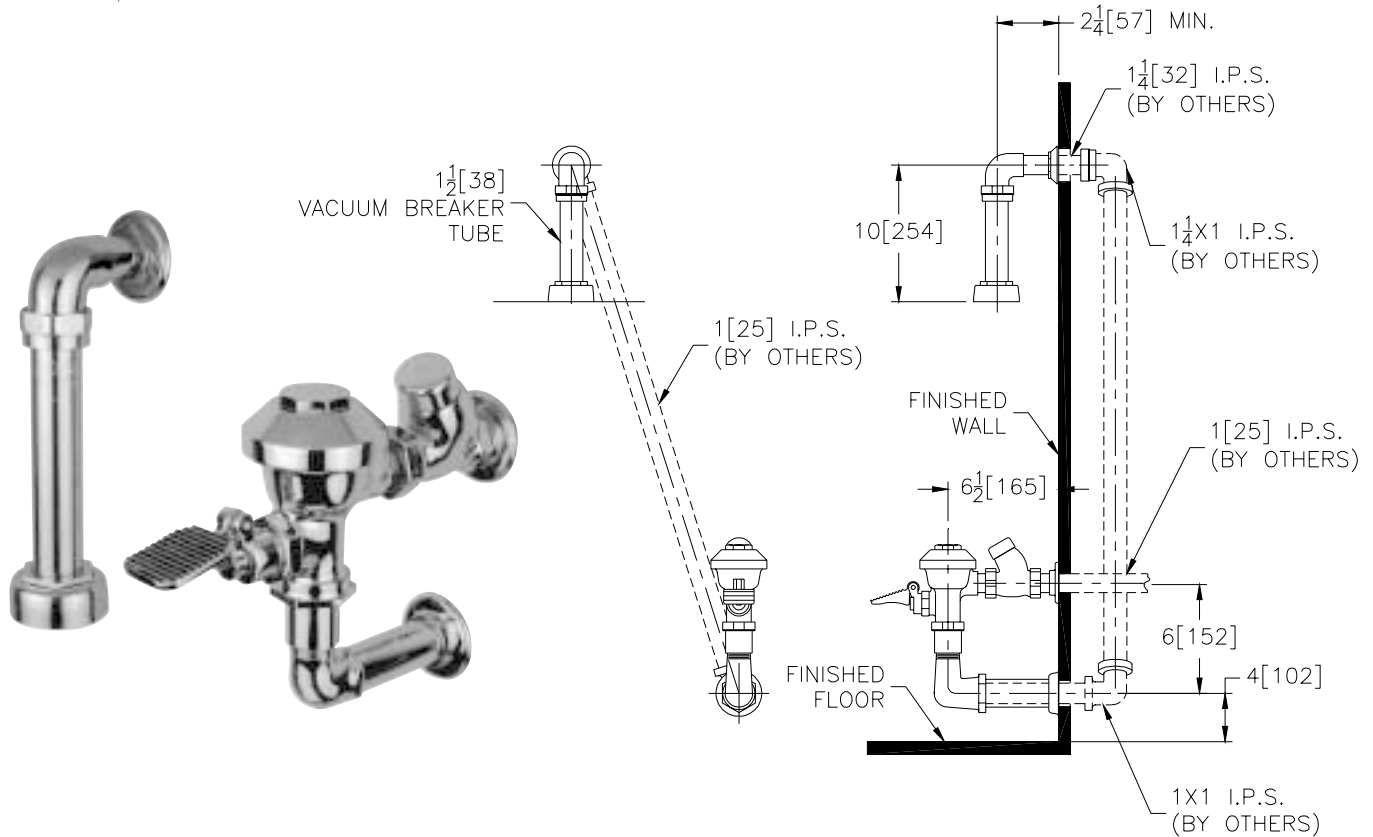




Exposed Z6300AV Model For Urinal Valves with Foot Pedal Actuation



Flow Options

- | | | |
|--------------------------|-----------------------|--------------------------------|
| <input type="checkbox"/> | -WS1 | 1.0 Gal. Low Consumption Flush |
| <input type="checkbox"/> | -WS | 1.5 Water Saver |
| <input type="checkbox"/> | Standard Flush | 3.0 Gallons Per Flush |

Suffix Options (Check/Specify Appropriate Options)

- | | | |
|-------|------------|-------------------------|
| _____ | -YJ | Split Ring Pipe Support |
| _____ | -YK | Solid Ring Pipe Support |
| _____ | | Other |

ENGINEERING SPECIFICATION: ZURN Z6300AV AquaVantage® 'AV' Exposed Urinal Valve with Foot Pedal Actuation- Exposed, quiet diaphragm-type, chrome plated, flushometer valve with Zurn's AquaVantage® TPE, chloramine resistant, dual seal diaphragm with surface optimization and a clog resistant dynamic orifice. The valve is complete with a non-hold open foot pedal actuator assembly, high back pressure vacuum breaker, hex coupling nut and adjustable tailpiece, spud coupling and flange for top spud connection. Control stop has internal siphon-guard protection, vandal resistant cap, sweat solder kit, and a cast wall flange with set screw. Internal seals are made of chloramine resistant materials.

This space is for Architectural/engineering Approval

ZURN INDUSTRIES, INC. ♦ COMMERCIAL BRASS OPERATION ♦ 5900 ELWIN BUCHANAN DRIVE ♦ SANFORD NC 27330

Phone: 1-800-997-3876 ♦ Fax: 919-775-3541 ♦ World Wide Web: www.zurn.com

In Canada: ZURN INDUSTRIES LIMITED ♦ 3544 Nashua Drive ♦ Mississauga, Ontario L4V1L2 ♦ Phone: 905-405-8272 Fax: 905-405-1292