



WIDESPREAD

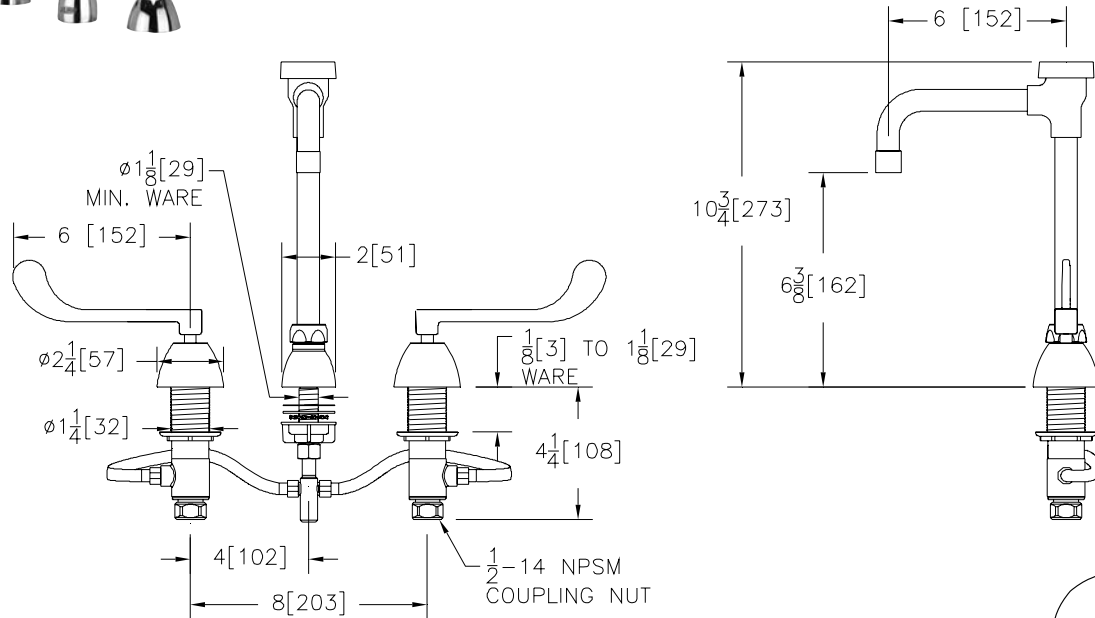
Z831U6

TAG



Engineering Specifications: Zurn AquaSpec® Z831U6

Polished chrome-plated widespread with adjustable centers from 8" [203mm] to 18" [457mm], a 6" [152mm] centerline rigid gooseneck spout with vacuum breaker and quarter turn ceramic disc cartridges. Unit is furnished with a 2.2 GPM [8.3 L] pressure compensating aerator (complying with ANSI A112.18.1 Standard for flow), 6" [152mm] vandal-resistant color-coded metal wrist blade handles, mounting hardware and 1/2" NPSM coupling nuts for standard lavatory risers. Widespread accommodates installations up to 1-1/8" [29mm] thick.



Note: All dimensions are for reference only. Do not use for pre-plumbing



OPTIONAL ACCESSORIES

| Suffix | Description |
|----------|---|
| ___ -CWO | Cold Water Only |
| ___ -G | 1-1/4" [32mm] Grid Strainer Drain |
| ___ -ICT | Inter-connecting Copper Supply Tubes for 8" In-line Centers |
| ___ -HCT | Hot/Cold Text Indexes |
| ___ -HS | Hose and Spray |
| ___ -LP | Low Profile |
| ___ -P | 1-1/4" [32mm] Pop-up Drain |
| ___ -PT | 1-1/4" [32mm] Cast Brass P-Trap with 7-1/2" [191mm] Long 17-Gauge Wall Bend |
| ___ -TW | Third Waterway |
| ___ -6M | 2.0 GPM [7.6 L] Male Serrated Nozzle Outlet |
| ___ -7M | 1.0 GPM [3.8 L] Pressure Compensating Male Spray Outlet |
| ___ -16M | 1.0 GPM [3.8 L] Vandal Resistant Pressure Compensating Male Spray Outlet |
| ___ -17M | 1.5 GPM [5.7 L] Vandal Resistant Pressure Compensating Male Aerator |
| ___ -18M | 1.5 GPM [5.7 L] Vandal Resistant Pressure Compensating Male Laminar Flow |
| ___ -19M | 1.5 GPM [5.7 L] Anti-Microbial Pressure Compensating Male Laminar Flow Outlet |
| ___ -20M | 1.0 GPM [3.8L] Vandal-Resistant Pressure Compensating Anti-Microbial Male Laminar Flow Outlet |
| ___ -21M | 1.0 GPM [3.8L] Male Laminar Flow Outlet |
| ___ -22M | 1.0 GPM [3.8L] Vandal-Resistant Male Laminar Flow Outlet |

ZURN INDUSTRIES, LLC ♦ COMMERCIAL BRASS OPERATION ♦ 2640 SOUTH WORK STREET ♦ FALCONER NY 14733

Phone: 1-716-665-1132 ♦ Fax: 1-716-665-1135 ♦ World Wide Web: www.zurn.com

In Canada: ZURN INDUSTRIES LIMITED ♦ 3544 Nashua Drive ♦ Mississauga, Ontario L4V1L2 ♦ Phone: 905/405-8272 Fax: 905/405-1292