



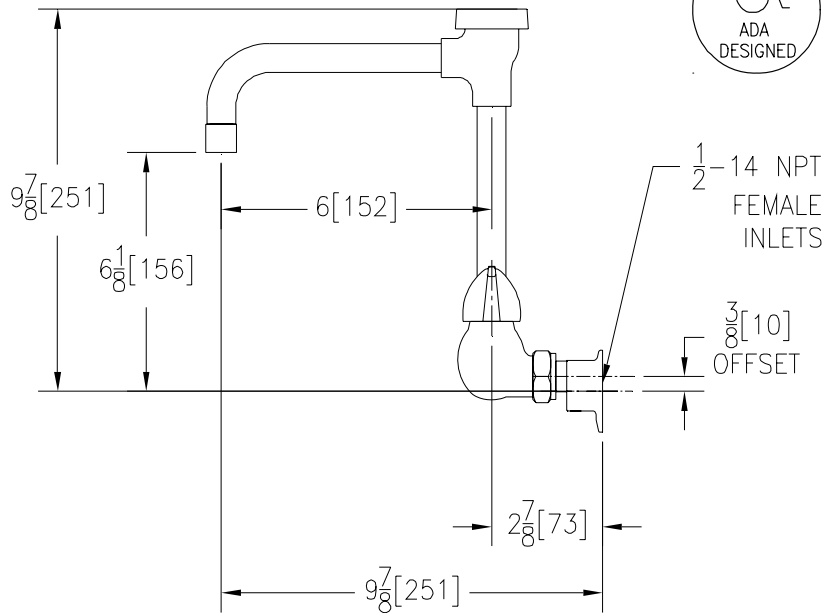
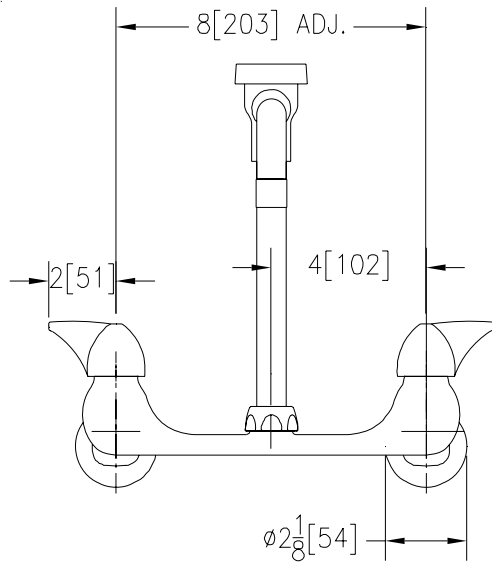
# SINK FAUCET Z842U3

TAG \_\_\_\_\_



### Engineering Specifications: Zurn AquaSpec® Z842U3

Polished chrome-plated cast brass 8" [203mm] sink faucet with quarter turn ceramic disc cartridges, 3/8" [10mm] short swivel inlets providing adjustable centers from 7-1/4" [184mm] to 8-3/4" [222mm] and a 6" [152mm] centerline rigid gooseneck spout with vacuum breaker and a 2.2 GPM [8.3 L] pressure compensating aerator (complying with ANSI A112.18.1 Standard for flow). Unit is furnished with 2" [51 mm] vandal-resistant color-coded metal dome lever handles.



Note: All dimensions are for reference only. Do not use for pre-plumbing

### OPTIONAL ACCESSORIES

Suffix	Description
— -AR	Anti-Rotation Pins
— -CS	Check Stop
— -FC	2.0 GPM [7.6L] Laminar Flow Control in Base of Spout
— -HCT	Hot/Cold Text Indexes
— -LP	Low Profile
— -LSI	2-1/2" [64mm] Long Swivel Inlets with Integral Stops
— -PT	1-1/4" [32mm] Cast-Brass P-Trap with a 7-12" [191mm] Long 17-Gauge Wall Bend
— -RC	Rough Chrome Plated
— -6M	Male Serrated Nozzle Outlet
— -7M	1.0 GPM [3.8 L] Pressure Compensating Male Spray Outlet
— -16M	1.0 GPM [3.8 L] Vandal Resistant Pressure Compensating Male Spray Outlet
— -17M	1.5 GPM [5.7 L] Vandal Resistant Pressure Compensating Male Aerator
— -18M	1.5 GPM [5.7 L] Vandal Resistant Pressure Compensating Male Laminar Flow

ZURN INDUSTRIES, INC. ♦ COMMERCIAL BRASS OPERATION ♦ 2640 SOUTH WORK STREET ♦ FALCONER NY 14733

Phone: 1-716-665-1132 ♦ Fax: 1-716-665-1135 ♦ World Wide Web: [www.zurn.com](http://www.zurn.com)

In Canada: ZURN INDUSTRIES LIMITED ♦ 3544 Nashua Drive ♦ Mississauga, Ontario L4V1L2 ♦ Phone: 905/405-8272 Fax: 905/405-1292