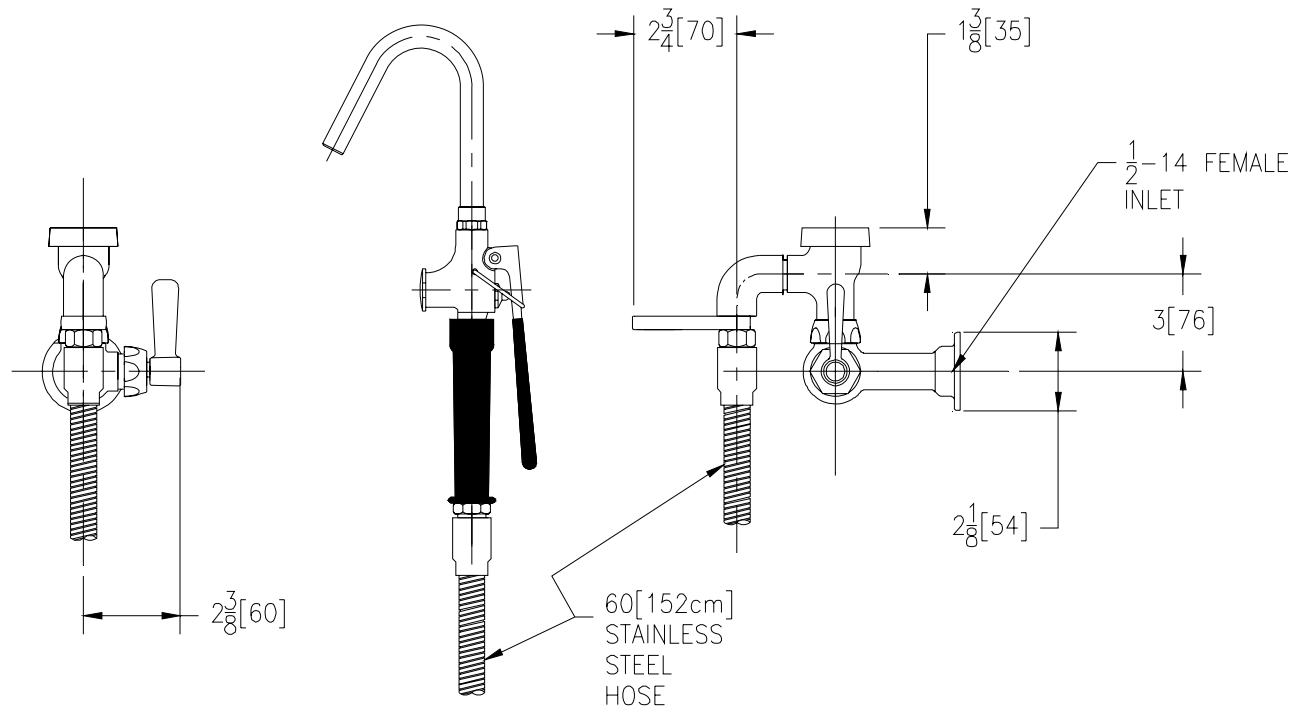




POT FILLER
Z875P1-PF1
 TAG _____

Engineering Specification: Zurn AquaSpec® Z875P1-PF1 Polished chrome plated cast brass wall mounted pot filler with a quarter turn ceramic disc cartridge and a 2-1/2" [64mm] vandal resistant color-coded metal lever handle. Unit is furnished with a self-closing hand held pot filler valve with an insulated handle, a stay open clip, a 60" [152cm] stainless steel hose and a hose hook. (Note: Atmospheric vacuum breaker not intended for continuous pressure applications.)



Note: All dimensions are for reference only. Do not use for pre-plumbing

OPTIONAL ACCESSORIES

Suffix	Description
___ -HCT	Hot/Cold Text Indexes
___ -WHK	Wall Hook

ZURN INDUSTRIES, LLC ♦ COMMERCIAL BRASS OPERATION ♦ 2640 SOUTH WORK STREET ♦ FALCONER NY 14733
 Phone: 1-800-997-3876 ♦ Fax: 1-919-775-3541 ♦ www.zurn.com

In Canada: ZURN INDUSTRIES LIMITED ♦ 3544 Nashua Drive ♦ Mississauga, Ontario L4V1L2 ♦ Phone: 905/405-8272 Fax: 905/405-1292

AquaSpec® is a registered trademark of Zurn Industries, LLC
 ©2011 Zurn Industries, LLC

Rev. F Date: 10/21/11 C.N. No. 128304
 Dwg. No. 66036 Product No. Z875P1-PF1