



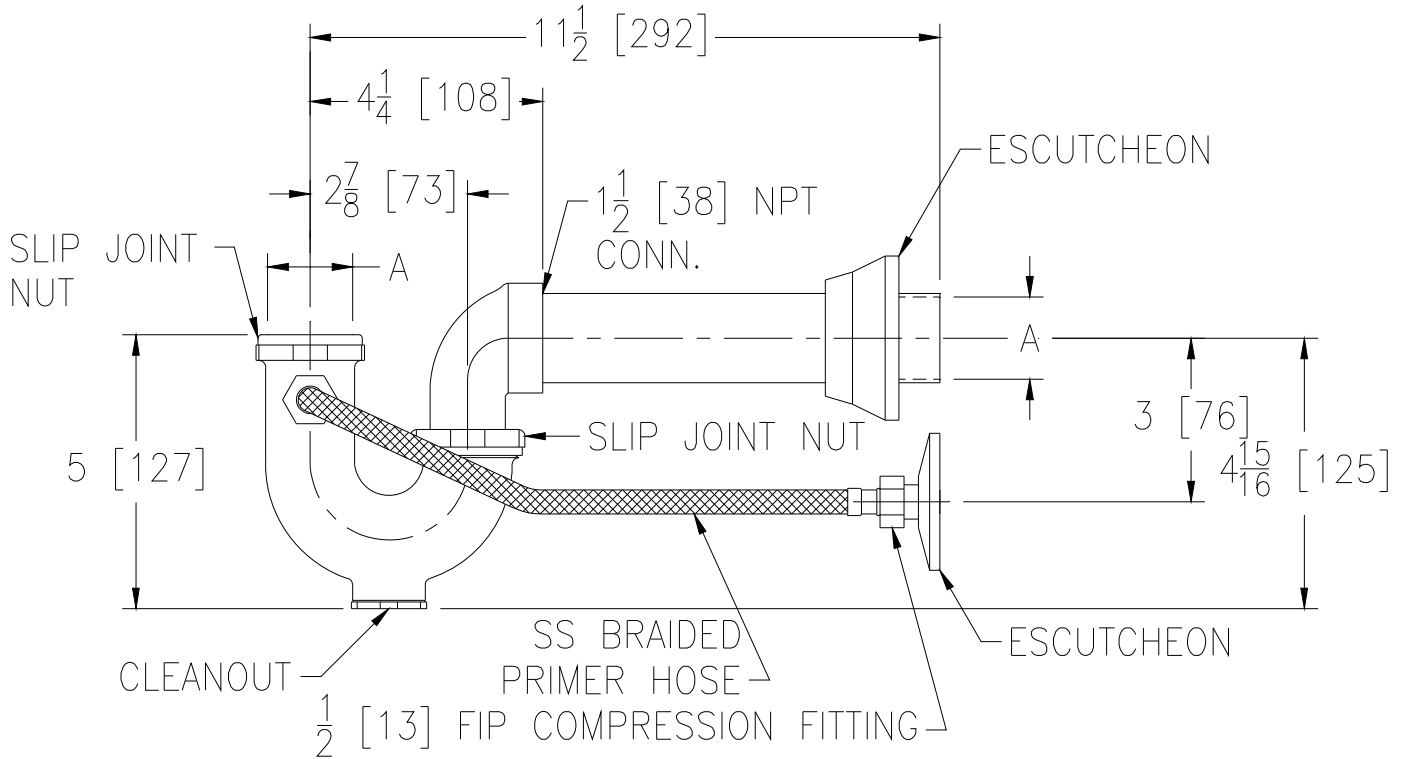
# Z1021

## WATER SAVER TRAP PRIMER (1-1/2 [38] COPPER SWEAT WALL CONNECTION)

SPECIFICATION SHEET

TAG \_\_\_\_\_

Dimensional Data (inches and [ mm ]) are Subject to Manufacturing Tolerances and Change Without Notice



A - Pipe Size
1-1/2 [38]

**ENGINEERING SPECIFICATION:** ZURN Z1021 Water Saver Trap Primer, chrome plated polished cast brass body with cleanout, ground joint elbow with 1-1/2 [38] NPT outlet, 1-1/2 [38] slip nuts and washers, and reducing washer for 1-1/4 [32] sink tail piece hookup, escutcheons and stainless steel braided primer hose with 1/2 [13] FIP compression fittings.

**OPTIONS** (Check/specify appropriate options)

**PREFIXES**

\_\_\_ Z Polished Chrome Plated\*

**SUFFIXES**

\_\_\_ -WL One-Piece Waste Elbow (for Slip Joint Wall Connection)

REV. E	DATE: 12/10/10	C.N. NO. 102141
DWG. NO. 66387	PRODUCT NO. Z1021	

\*REGULARLY FURNISHED UNLESS OTHERWISE SPECIFIED