



ARCHITECTURAL & ENGINEERING SPECIFICATION

Exposed, quiet diaphragm-type, chrome-plated flushometer valve with a polished exterior. Complete with Zurn's AquaVantage® TPE, chloramine resistant, dual seal diaphragm with a clog resistant bypass. The valve incorporates a motor actuator, an integral infrared convergence-type proximity sensor with capacitive sensing override push button, high impact resistant polycarbonate housing and chrome-plated plastic cover with 10 degree angled sensor.

PRODUCT FEATURES

- Proprietary Dezincification resistant low lead brass alloy
- Control Stop has internal siphon-guard protection and vandal resistant stop cap, Sweat solder kit, wall flange with set screw
- High back pressure Vacuum Breaker with one piece hex coupling nut
- Chloramine resistant Internal seals
- Adjustable tailpiece
- Spud coupling and flange for top spud connection

COMPLIANCE AND CERTIFICATION:

- Complies with ASSE 1037 / ASME A112.1037 / CSA B125.37
- ADA Compliant



This product should be used with a WaterSense labeled counterpart with a compatible flush volume to ensure that the entire system meets the requirements for water efficiency and performance.

ACCESSORIES (ORDER SEPARATE AS SPECIFIED)

- P6900-ACA-BA 7.6VDC Plug-In ACA Power Supply Powers up to 4 valves
- P6000-HW6 7.6VDC Hardwired Power Converter Powers up to 8 valves
- P6000-MJ Mini Junction Box



FLOW OPTIONS

|                  | FLUSH VOLUME GPF | WATERSENSE COMPLIANT                |
|------------------|------------------|-------------------------------------|
| <b>-ULF</b>      | 0.125            | <input checked="" type="checkbox"/> |
| <b>-EWS</b>      | 0.5              | <input checked="" type="checkbox"/> |
| <b>-WS1</b>      | 1.0              |                                     |
| <b>-STANDARD</b> | 1.5              |                                     |

SUFFIX OPTIONS

- MOB Manual Override Button (Front of Body)
- YJ Split Ring Pipe Support
- YK Solid Ring Pipe Support
- Other

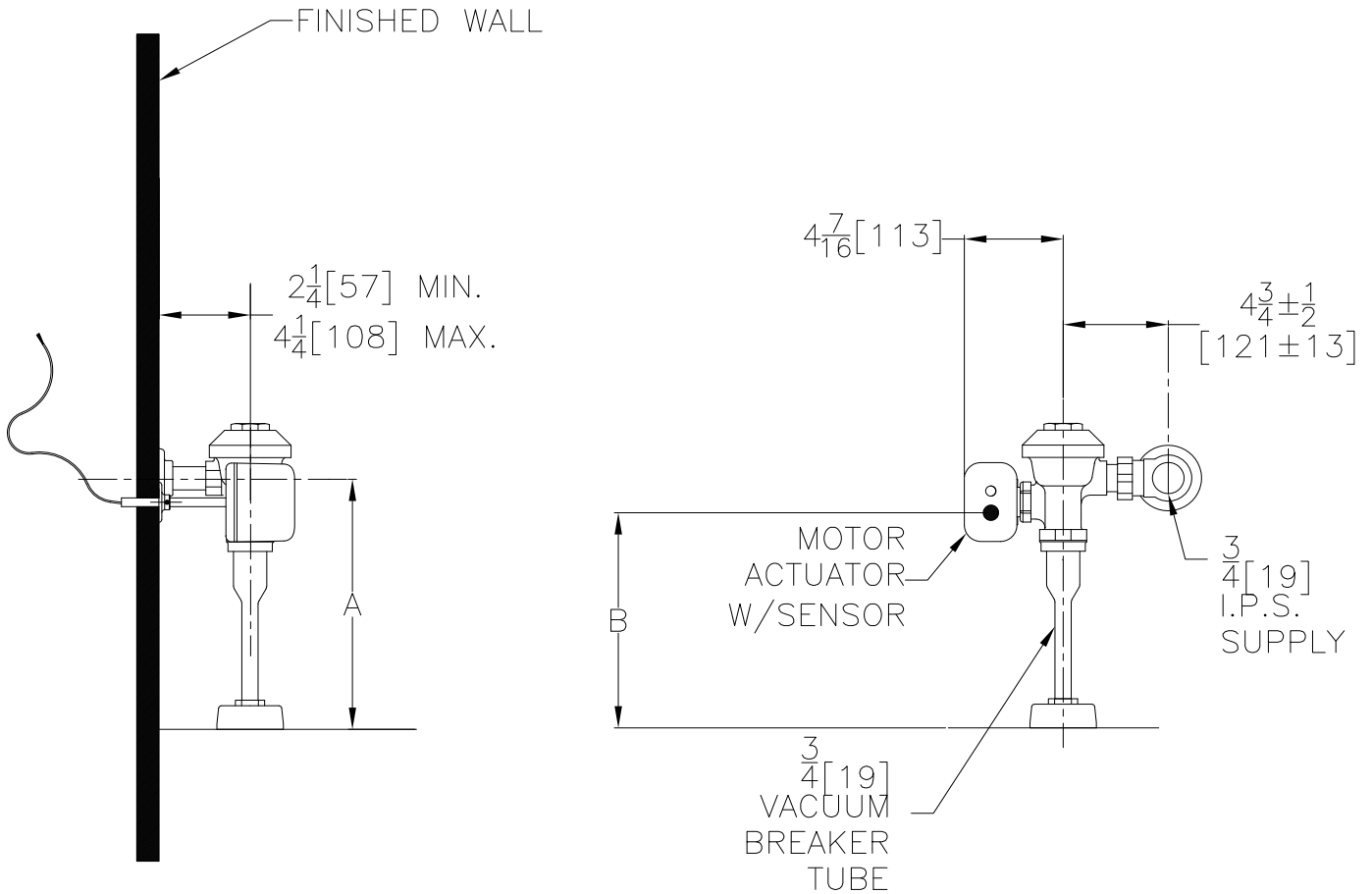
VALVE HEIGHT OPTIONS

|                  | DIMENSION A INCH [MM] | DIMENSION B INCH [MM] |
|------------------|-----------------------|-----------------------|
| <b>-STANDARD</b> | 11 1/2" [292]         | 9 7/8" [251]          |
| <b>-1</b>        | 16" [406]             | 14 3/8" [365]         |
| <b>-2</b>        | 24" [610]             | 22 3/8" [568]         |

ARCHITECTURAL & ENGINEERING APPROVAL

The information contained in this document is subject to change without notice. Please contact Zurn for most up to date information.

Rough-in/Overview dimensions



NOTE: All dimensions are for reference only. Do not use for pre-plumbing.