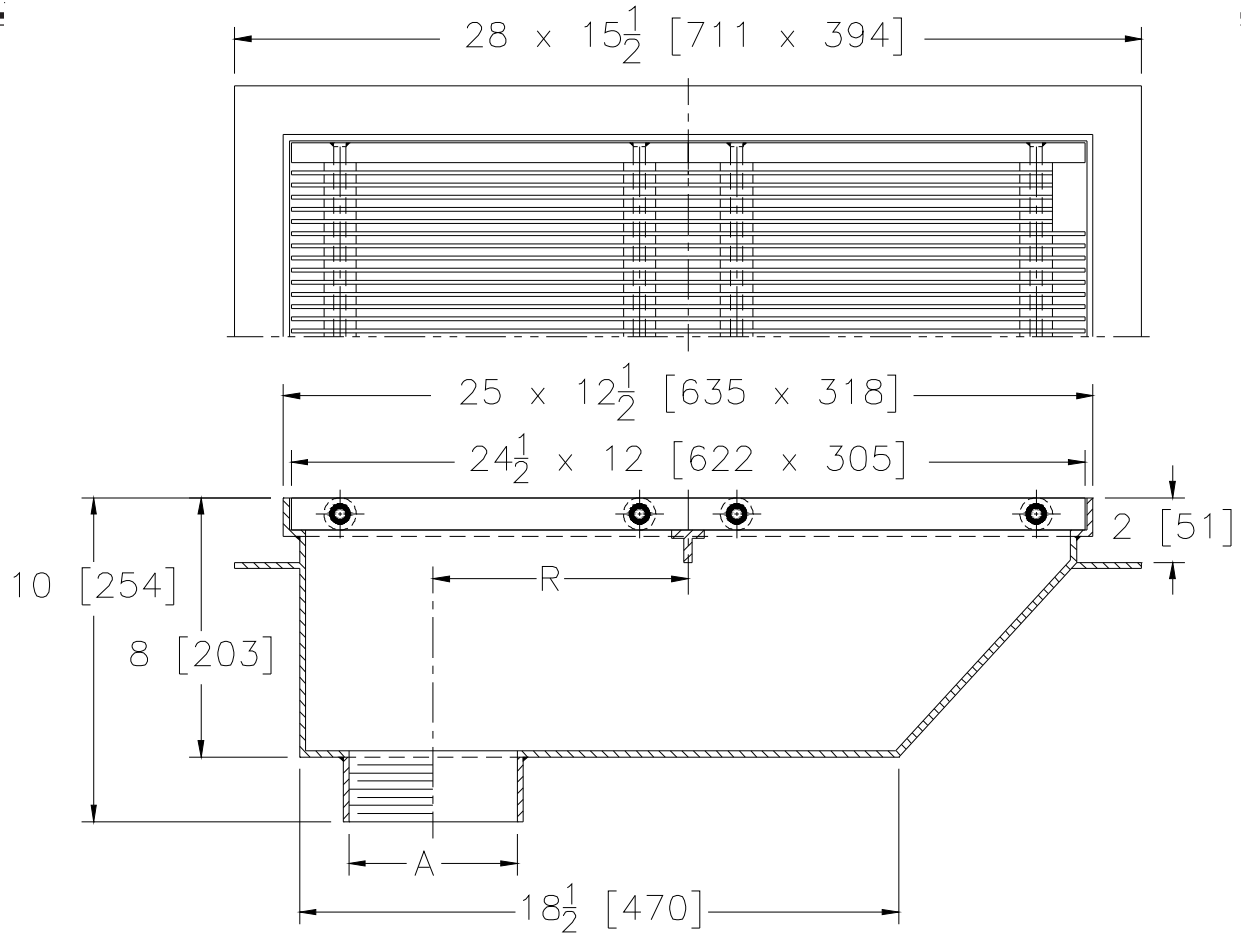




**Z1762**  
KETTLE DRAIN

SPECIFICATION SHEET

TAG \_\_\_\_\_



Dimensions in Inches [mm]		Approx. Weight. Lbs.[Kg.]	Grate Open Area Sq. In.[cm <sup>2</sup> ]
A-Pipe Size	R		
3, 4 [76, 102]	7 7/8 [200]	71 [32]	149 [961]
6 [152]	6 7/8 [175]		

**ENGINEERING SPECIFICATION: ZURN ZS1762**

Type 304 (CF8) stainless steel fabricated body and stainless steel two piece grate with 1/8" [3mm] bars on 3/8" [10mm] centers. One grate section with lift hole.

**OPTIONS** (Check/specify appropriate options)

**PIPE SIZE**

3, 4, 6 [76, 102, 152]

(Specify size/type) **OUTLET**

\_\_\_ NH No-Hub

**PREFIXES**

- \_\_\_ Z Acid Resistant Epoxy Coated Steel Body with Stainless Steel Top.
- \_\_\_ ZS All Type 304 Fabricated Stainless Steel Body with Stainless Steel Top\*

**SUFFIXES**

- \_\_\_ -SB Solids Retaining Baffle

\* Regularly furnished unless otherwise specified.