



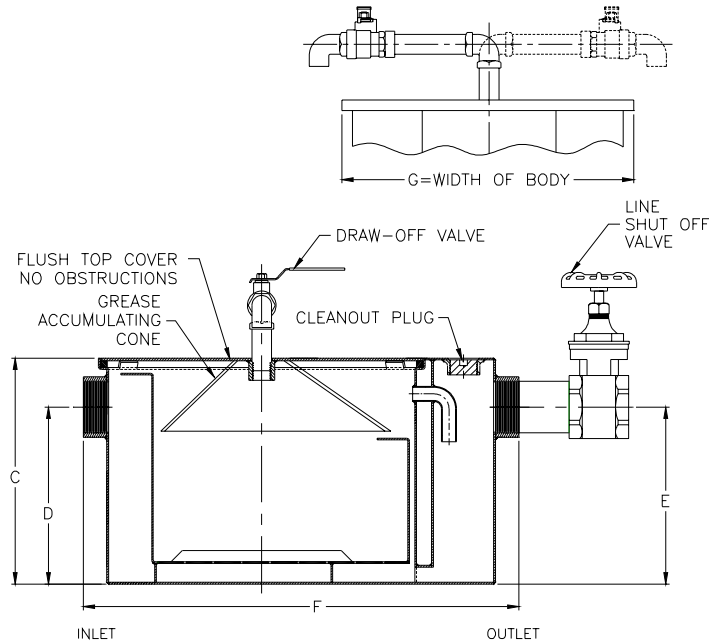
Z1173-RD

GREASE INTERCEPTOR WITH RIGID PIPE DRAW-OFF, ACCUMULATING CONE, AND IN LINE SHUTOFF VALVE

SPECIFICATION SHEET

TAG _____

Dimensional Data (inches and [mm]) are Subject to Manufacturing Tolerances and Change Without Notice



Size	Inlet/ Outlet Size**	Flow Rate G.P.M. [L]	Capacity		Approx. Wt. Lbs. [kg]	Dimensions in Inches			
			Water Gal. [L]	Grease Lbs. [kg]		C	D/E	F	G
200	2 [51]	7 [26]	5 [19]	14 [6]	56 [25]	11 1/4 [286]	8 1/8 [206]	21 1/16 [535]	11 7/8 [302]
300		10 [38]	6 [23]	20 [9]	70 [32]	11 3/4 [298]	8 1/4 [210]	23 1/16 [586]	14 [356]
400	3 [76]	5 [57]	10 [38]	30 [14]	87 [39]	13 3/8 [340]	9 3/8 [238]	25 1/16 [637]	16 3/4 [425]
500		20 [76]	16 [60]	40 [18]	104 [47]	15 [381]	11 3/4 [298]	27 15/16 [710]	17 1/4 [438]
600		25 [94]	21 [79]	50 [23]	129 [59]	17 [432]	12 1/2 [318]	30 3/16 [767]	19 7/8 [505]
700		35 [132]	30 [113]	70 [32]	156 [71]	18 3/4 [476]	14 1/4 [362]	32 1/16 [815]	22 1/2 [572]
800		50 [189]	40 [151]	100 [45]	186 [84]	21 1/2 [546]	16 [406]	33 15/16 [862]	24 1/2 [622]
900		75 [284]	65 [246]	150 [68]	316 [143]	22 3/4 [578]	18 1/2 [470]	36 13/16 [935]	28 5/8 [727]

ENGINEERING SPECIFICATION: ZURN Z1173-RD Acid Resistant Coated interior and exterior fabricated steel grease interceptor, rated at ___ GPM and ___ Lbs. grease capacity, with internal air relief by-pass, bronze cleanout plug and visible double wall trap seal with removable combination pressure equalizing/flow diffusing baffle and sediment tray. Gasketed non-skid secured cover with grease accumulating cone, rigid piping, grease draw-off valve, and an inline closure valve, Complete with Z1108 flow control fitting. Regularly furnished with high inlet and outlet connections. Note: Location of outlet from bottom of interceptor cannot be changed.

PREFIXES

___ Z Acid Resistant Coated Fabricated Steel*

SUFFIXES

___ -L Angle type (Z1108-L) flow control device with plunger.

**

Inlet and outlet sizes shown indicate standard operating sizes and flow control settings. Size #300 will have 3[76] connections reduced to 2[51] and sizes #600 thru #900 will have 4[102] connections reduced to 3[76] as standard. If changed, flow control must be adjusted accordingly.

REV. A	DATE: 2/24/04	C.N. NO. 91963
DWG. NO. 67408	PRODUCT NO. Z1173-RD	

*REGULARLY FURNISHED UNLESS OTHERWISE SPECIFIED