

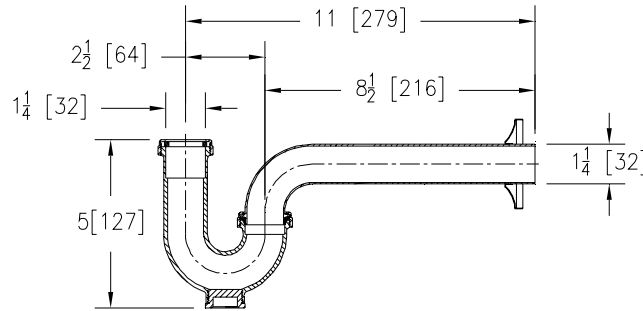


P-TRAP WITH WALL BEND AND PROTECTORS

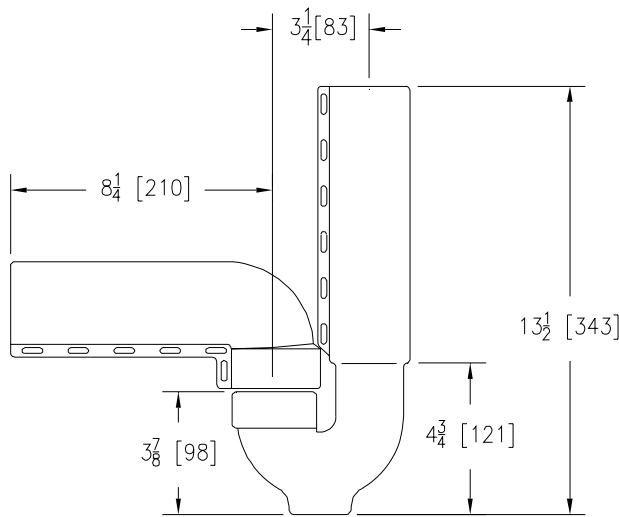
Z8995-1-PC

TAG _____

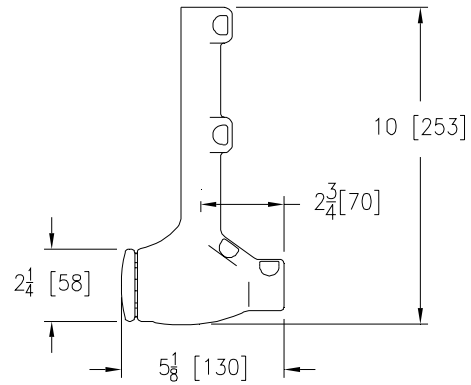
Engineering Specification: Zurn Z8995-1-PC – Chrome-plated cast body 1 1/4" [32mm] P-trap with cleanout, 17 gage tubular wall bend, brass nuts, and shallow escutcheon with compression inlet. Unit is furnished with one trap protector and two supply stop protectors. Protectors are satin white PVC resin, antimicrobial, resist thermal transfer and are ADA compliant.



P-TRAP



TRAP PROTECTOR



SUPPLY STOP PROTECTOR

OPTIONAL ACCESSORIES

Suffix	Description
___-BX	Box Escutcheon
___-CE	Cast Brass Escutcheon with Setscrew
___-D	Deep Escutcheon
___-J	Metal to Metal Ground Joint Connection



* CSA APPROVED ONLY WHEN ORDERING WITH BRASS NUTS

ZURN INDUSTRIES, INC. ♦ COMMERCIAL BRASS OPERATION ♦ 2640 SOUTH WORK STREET ♦ FALCONER NY 14733

Phone: 1-716-665-1132 ♦ Fax: 1-716-665-1135 ♦ World Wide Web: www.zurn.com

In Canada: ZURN INDUSTRIES LIMITED ♦ 3544 Nashua Drive ♦ Mississauga, Ontario L4V1L2 ♦ Phone: 905/405-8272 Fax: 905/405-1292