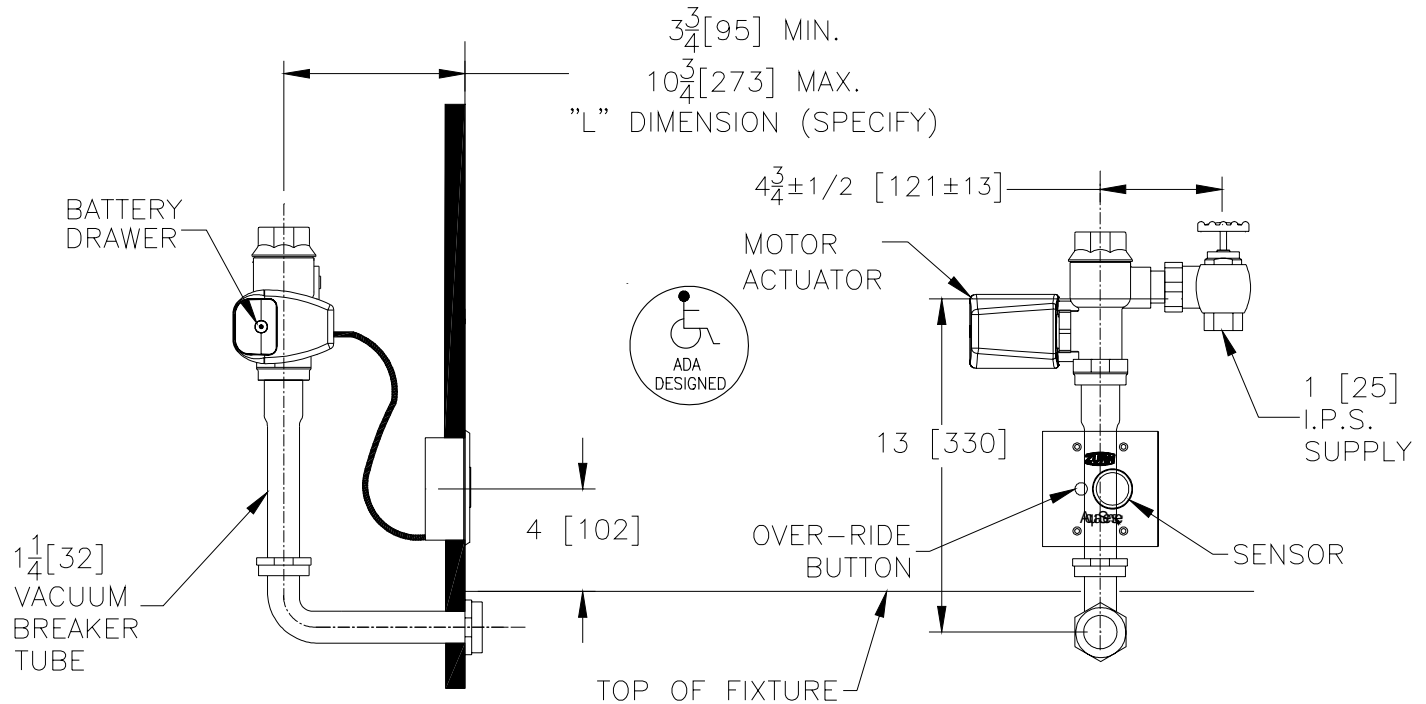




Concealed ZER6290 Model

Sensor Operated Battery Powered Metroflush Valve For Urinals



Flow Options

- WS1** 1.0 Gal. Low Consumption
- FF** 3.0 Gal. Full Flush
- Standard Flush** 1.5 Gallons Per Flush

Suffix Options (Check/Specify Appropriate Options)

- YB** Sweat Solder kit
- Other

This space is for Architectural/engineering Approval

ENGINEERING SPECIFICATION: ZURN ZER6290 AquaSense Concealed Sensor Operated Battery Powered Metroflush Valve For Urinals- Concealed quiet piston type brass flushometer valve. Complete with Zurn MetroVantage chloramine resistant piston with a clog resistant filtered by-pass. The valve is ADA compliant and incorporates a 6VDC motor actuator, a battery powered automatic sensor with manual override push button, high back pressure vacuum breaker, one piece hex coupling nut, adjustable tail-piece, spud coupling and flange for back spud connection. Switchable sensor features include 24 hour auto flush and diagnostic indicator lights. Control stop has internal siphon-guard protection. Internal seals are made of chloramine resistant materials.