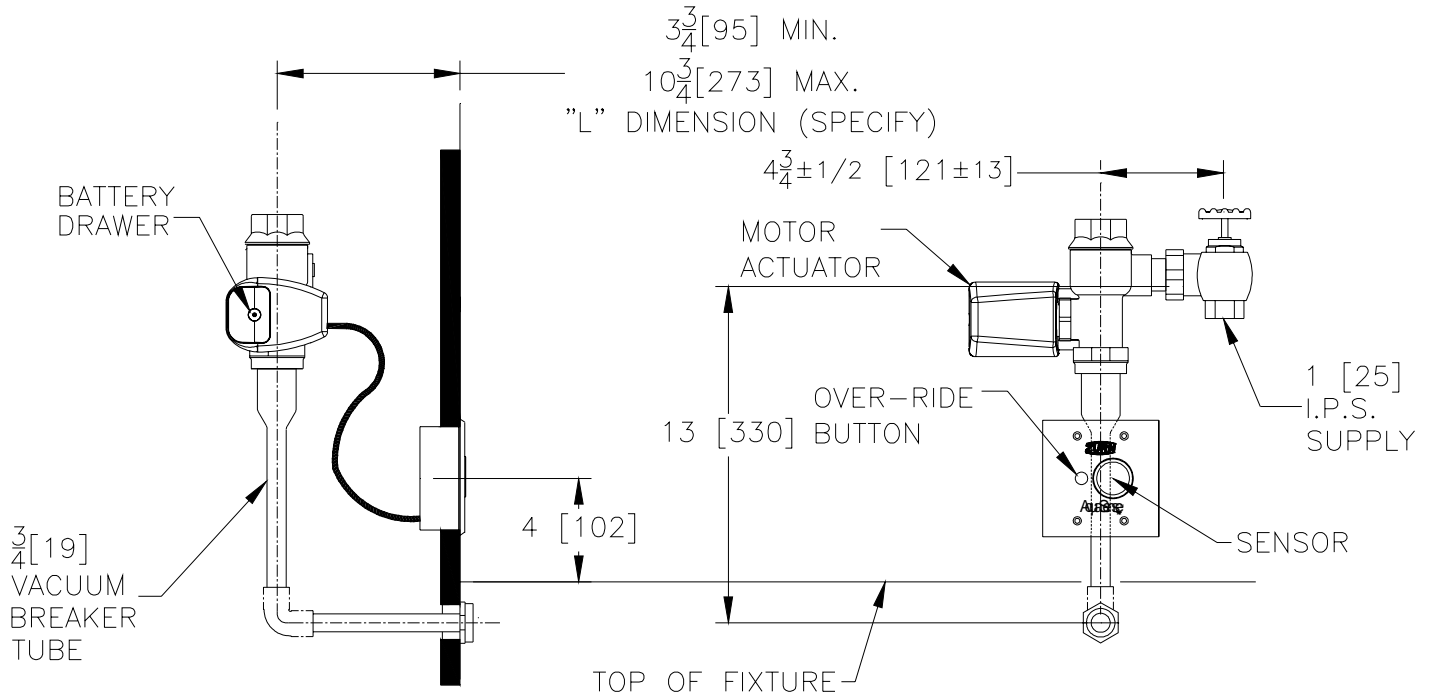




Concealed ZER6295 Model

Sensor Operated Battery Powered Metroflush Valve For Urinals



Flow Options

- WS1** 1.0 Gal. Low Consumption
- FF** 3.0 Gal. Full Flush
- Standard Flush** 1.5 Gallons Per Flush

Suffix Options (Check/Specify Appropriate Options)

- _____ **-YB** Sweat Solder kit
- _____ Other

This space is for Architectural/engineering Approval

ENGINEERING SPECIFICATION: ZURN ZER6295 AquaSense Concealed Sensor Operated Battery Powered Metroflush Valve For Urinals-

Concealed, quiet piston type brass flushometer valve. Complete with Zurn MetroVantage chloramine resistant piston with a clog resistant filtered by-pass. The valve is ADA compliant and incorporates a 6 VDC motorized actuator, a battery powered automatic sensor with manual override push button, high back pressure vacuum breaker, hex coupling nut, adjustable tailpiece, spud coupling and flange for back spud connection. Switchable sensor features include 24 hour auto flush and diagnostic indicator lights. Control stop has internal siphon-guard protection. Internal seals are made of chloramine resistant materials.