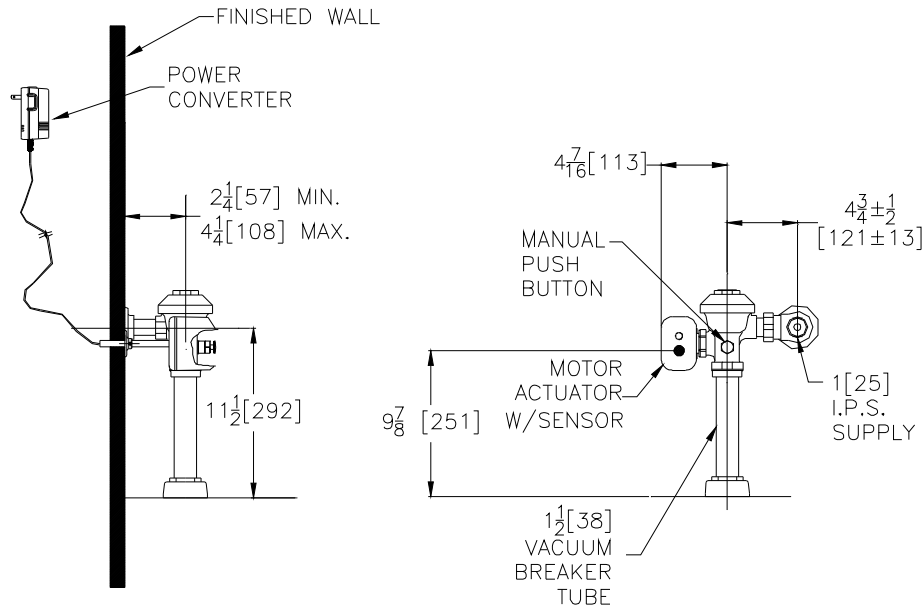




ZEMS6000AV-IS-MOB

Exposed Hardwired Automatic Sensor Flush Valve
With Manual Override Button For Water Closets



Flow Options

- ONE* 1.1 gpf High Efficiency Flush
- HET* 1.28 gpf High Efficiency Flush
- WS1 1.6 gpf Low Consumption Flush
- Standard 3.5 gpf
- FF 4.5 gpf Full Flush

Suffix Options (Check/Specify Appropriate Options)

- YJ Split Ring Pipe Support
- YK Solid Ring Pipe Support
- YO Bumper on Angle Stop
- _____ Other

Accessories (Order separate as specified)

- P6000-MJ** Mini Junction Box
- P6000-HW6** Hardwire Power Converter 7.6VDC (Regulated)(Up to 8 valves)
- P6900-ACA-BA** Regulated AC Supply (6 valves maximum)

ENGINEERING SPECIFICATION: ZURN ZEMS6000AV-IS-MOB AquaFlush Exposed Hardwired Automatic Sensor Flush Valve For Water Closets- Exposed, quiet diaphragm-type, chrome plated, flushometer valve with a polished exterior. Complete with Zurn's AquaVantage TPE, chloramine resistant, dual seal diaphragm with triple filtered by-pass. The valve incorporates a 7.6 VDC motorized actuator, an integral infrared convergence-type proximity sensor and an electronic courtesy flush button into an all-metal, polished chrome plated housing. Sensor range automatically adjusts to its environment at power up and is powered by a 7.6 VDC power converter. Valve is standard with a manual over-ride button independent of the power source. The valve is complete with high back pressure vacuum breaker, one piece hex coupling nut, adjustable tailpiece, spud coupling and flange for top spud connection. Control stop has internal siphon-guard protection, sweat solder kit, vandal resistant stop cap, and cast wall flange with set screw. Internal seals are made of chloramine resistant materials.

Architectural/Engineering Approval

The information contained in this document is subject to change without notice. Please contact Zurn for most up to date information.

ZURN INDUSTRIES, LLC. ♦ COMMERCIAL BRASS OPERATION ♦ 5900 ELWIN BUCHANAN DRIVE ♦ SANFORD NC 27330

Phone: 1-800-997-3876 ♦ Fax: 919-775-3541 ♦ World Wide Web: www.zurn.com

In Canada: ZURN INDUSTRIES LIMITED ♦ 7900 Goreway Drive Unit 10 ♦ Brampton, Ontario L6T5W6 ♦ Phone: 905-405-8272 Fax: 905-405-1292