



# Z1397

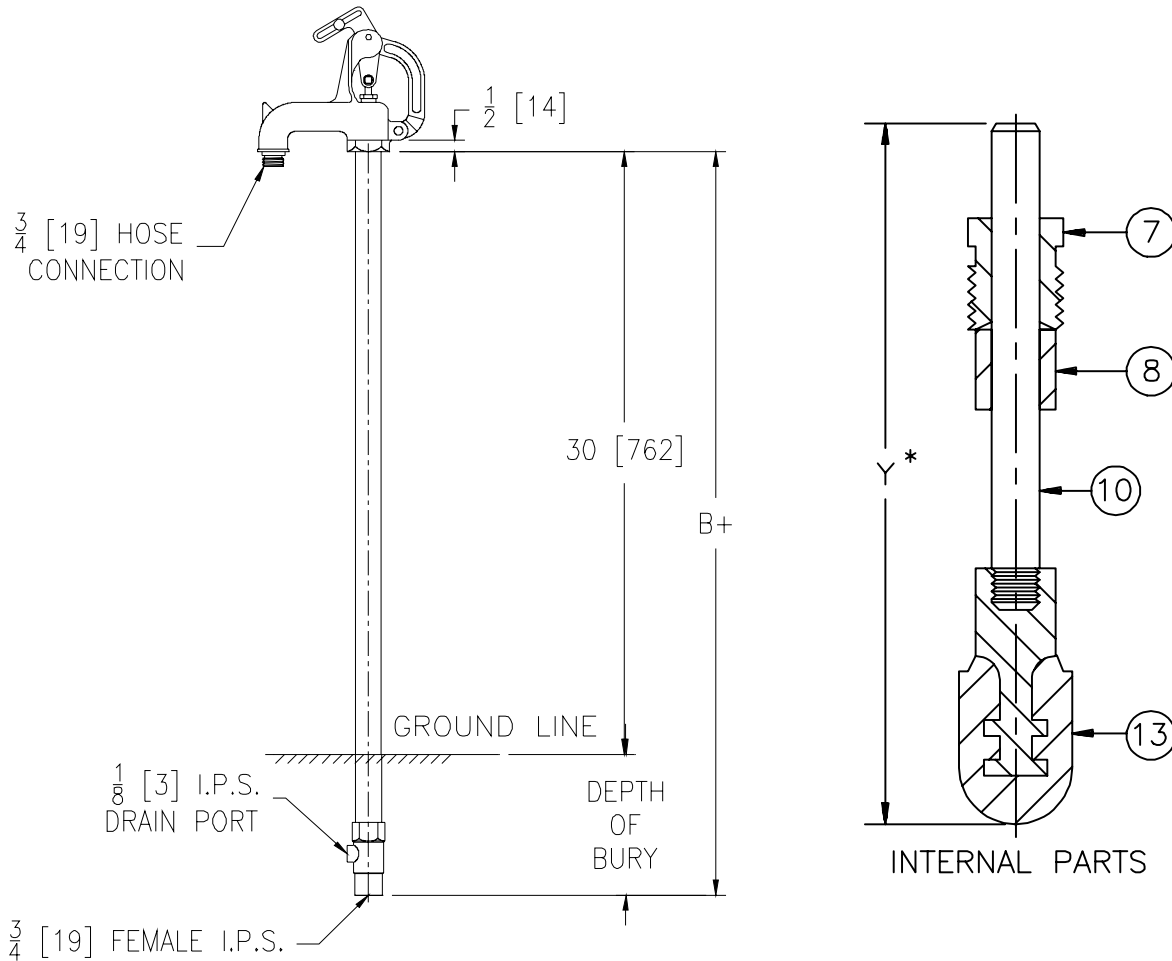
## FLO-TROL YARD HYDRANT

### Exposed Head, Non-Freeze

SPECIFICATION SHEET

TAG \_\_\_\_\_

Dimensional Data (inches and [ mm ]) are Subject to Manufacturing Tolerances and Change Without Notice



Depth of Bury Feet	B+ Dim. Feet	Approx. Wt. Lbs. [kg]
2 [610]	4 1/2 [1372]	15 [7]
3 [914]	5 1/2 [1676]	19 [9]
4 [1219]	6 1/2 [1981]	23 [10]
5 [1524]	7 1/2 [2286]	27 [12]
6 [1829]	8 1/2 [2591]	31 [14]
8 [2438]	10 1/2 [3200]	39 [18]

**ENGINEERING SPECIFICATION:** ZURN Z1397 Exposed, non-freeze yard hydrant, with Dura-Coated cast iron head and lift handle with lock option. Slotted links provide adjustable, locking flow control. Complete with bronze interior parts and galvanized steel casing with bronze valve housing and 1/8 [3] IP drain port in housing.

Note: 'B' dim. based on outlet connection 30 [762] above ground.  
 \*\* Non-Freeze feature will not function when (-VB suffix) vacuum breaker is specified.

**OPTIONS** (Check/specify appropriate options)

**SUFFIXES**

- \_\_\_ -AC Aluminum Casing Guard
- \_\_\_ -RK Hydrant Parts Repair Kit
- \_\_\_ -VB 3/4 [19] Adapter Vacuum Breaker\*\*

**PARTS LIST**

<u>Item</u>	<u>Name</u>	<u>Quan.</u>
7	Operating Coupling	1
8	Packing	1
10	Operating Rod	1
13	Plunger	1

REV.	DATE: 8/16/05	C.N. NO. 93703	
DWG. NO. 82463	PRODUCT NO. Z1397		

\*WHEN ORDERING REPLACEMENT PARTS SPECIFY Y DIM.