

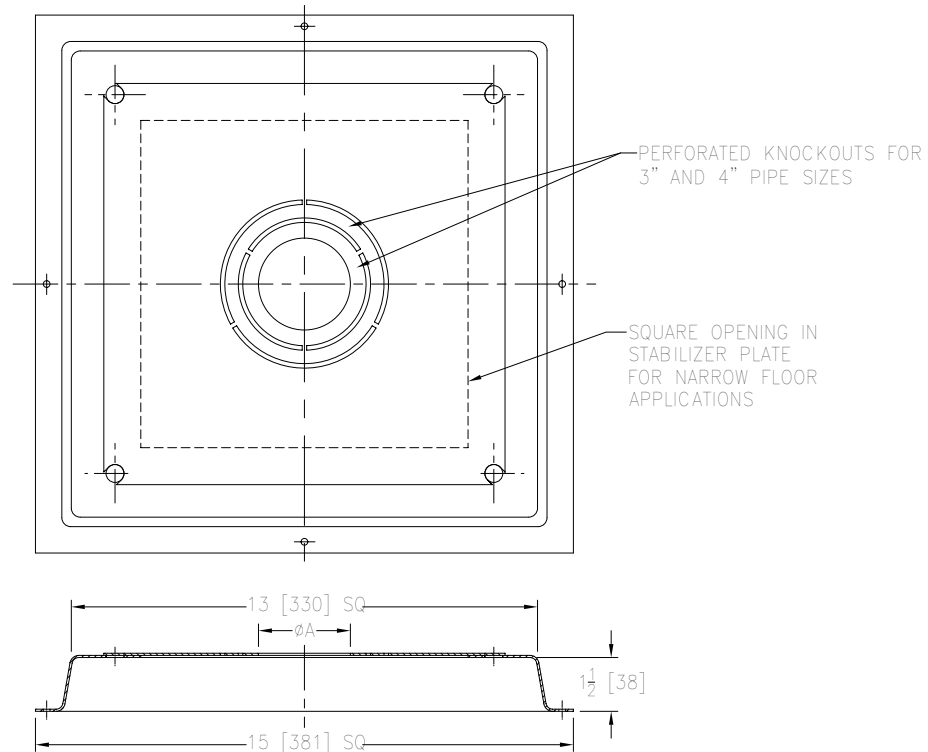


**Z1903**  
SANI-FLOR RECEPTOR  
INSTALLATION STABILIZER

SPECIFICATION SHEET

TAG \_\_\_\_\_

Design and Dimensional Data (inches and [ mm ]) are Subject to Manufacturing Tolerances and Change Without Notice



| Pipe Size In. [mm] | A<br>Dia.     |
|--------------------|---------------|
| 2 [51]             | 2-9/16 [65]   |
| 3 [76]             | 3-11/16 [94]  |
| 4 [102]            | 4-11/16 [119] |

**ENGINEERING SPECIFICATION: ZURN Z1903**

Sani-Flor Receptor Installation Stabilizer. #16 Gage galvanized steel plate with variable pipe opening, four support stud holes, and four nail holes. Complete with hardware bag containing four 3/8-16 x 12 [305] long studs and eight 3/8-16 flange locknuts, and cover plate with hole for standard 2" pipe size and perforated knockouts for 3" and 4" pipe connections. For use with Z1900, Z1901 and Z1902 Sani-Flor receptors.

**NOTE:** Stabilizer plate may be used without cover plate for narrow floor applications where drain body will be recessed into stabilizer plate.

- ⚠ **WARNING:** Cancer and Reproductive Harm - [www.P65Warnings.ca.gov](http://www.P65Warnings.ca.gov)
- ⚠ **ADVERTENCIA:** Cáncer y daño reproductivo - [www.P65Warnings.ca.gov](http://www.P65Warnings.ca.gov)
- ⚠ **AVERTISSEMENT:** Cancer et effets néfastes sur la reproduction - [www.P65Warnings.ca.gov](http://www.P65Warnings.ca.gov)

Zurn Industries, LLC | Specification Drainage Operation  
1801 Pittsburgh Avenue, Erie, PA 16502, Ph. 855.663.9876

In Canada | Zurn Industries Limited  
7900 Goreway Drive, Unit 10, Brampton, Ontario L6T 5W6, Ph. 877.892.5216

[www.zurn.com](http://www.zurn.com)

Rev. B  
Date: 01/11/23  
C.N. No. 144899  
Patent [zurn.com/patents](http://zurn.com/patents)  
Prod. | Dwg. No. Z1903