



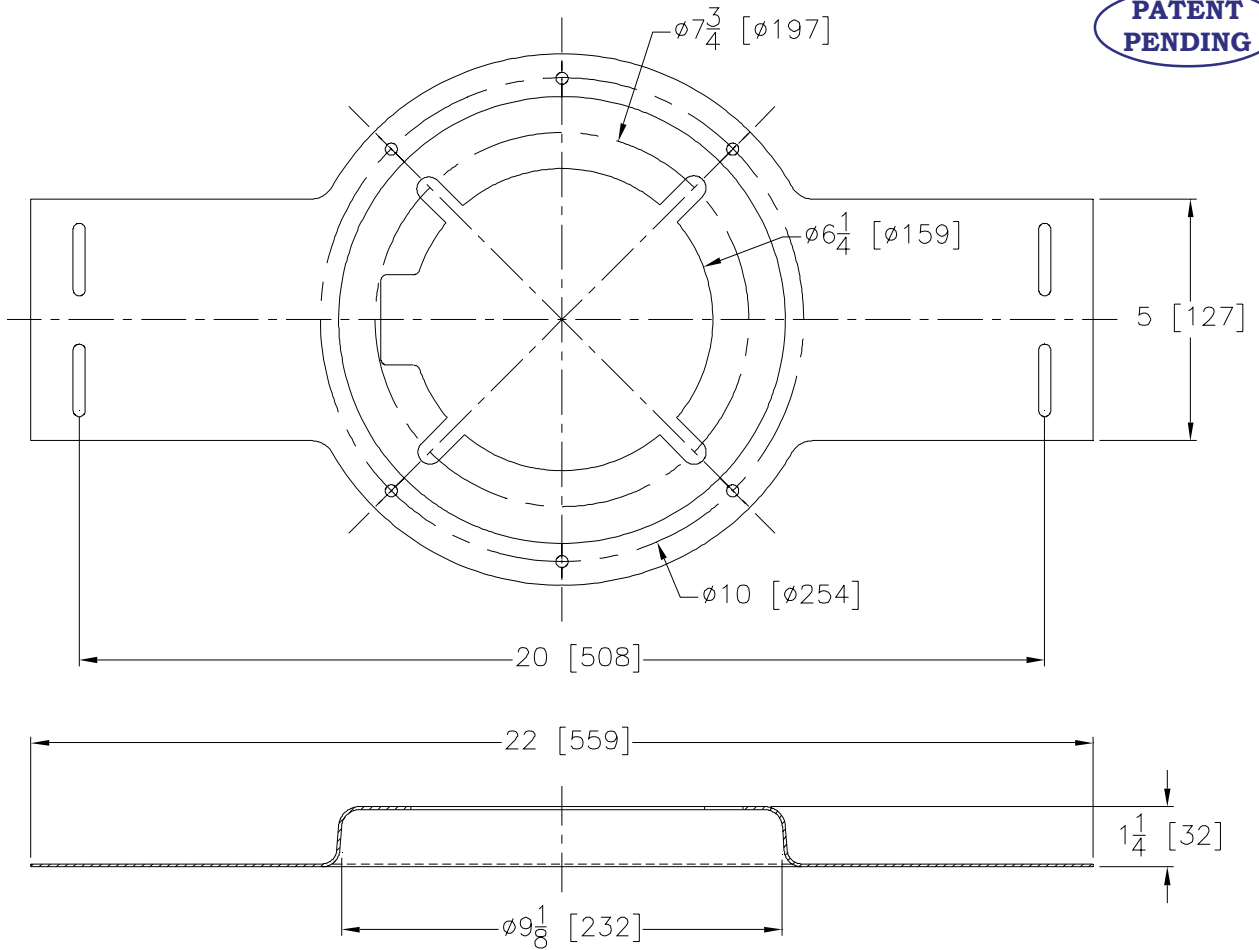
Z1035-Q STRUCTURAL DECK DRAIN STABILIZER

SPECIFICATION SHEET

TAG _____

Dimensional Data (inches and [mm]) are Subject to Manufacturing Tolerances and Change Without Notice

**PATENT
PENDING**



ENGINEERING SPECIFICATION: ZURN Z1035-Q

Structural Deck Drain Stabilizer for Q-deck. #16 gage galvanized steel plate with four support stud slots, and six nail holes. Complete with hardware bag containing four 3/8-16 x 12 [305] long studs and eight 3/8-16 flange locknuts.

NOTE: For use with 8-3/8 [213] dia. drain body.

REV. B DATE: 11/01/10 C.N. NO. 120199

DWG. NO. 82644

PRODUCT NO. Z1035-Q

ZURN INDUSTRIES, LLC. ♦ SPECIFICATION DRAINAGE OPERATION ♦ 1801 Pittsburgh Ave. ♦ Erie, PA 16514

Phone: 814/455-0921 ♦ Fax: 814/454-7929 ♦ World Wide Web: www.zurn.com

In Canada: ZURN INDUSTRIES LIMITED ♦ 3544 Nashua Drive ♦ Mississauga, Ontario L4V1L2 ♦ Phone: 905/405-8272 Fax: 905/405-1292