



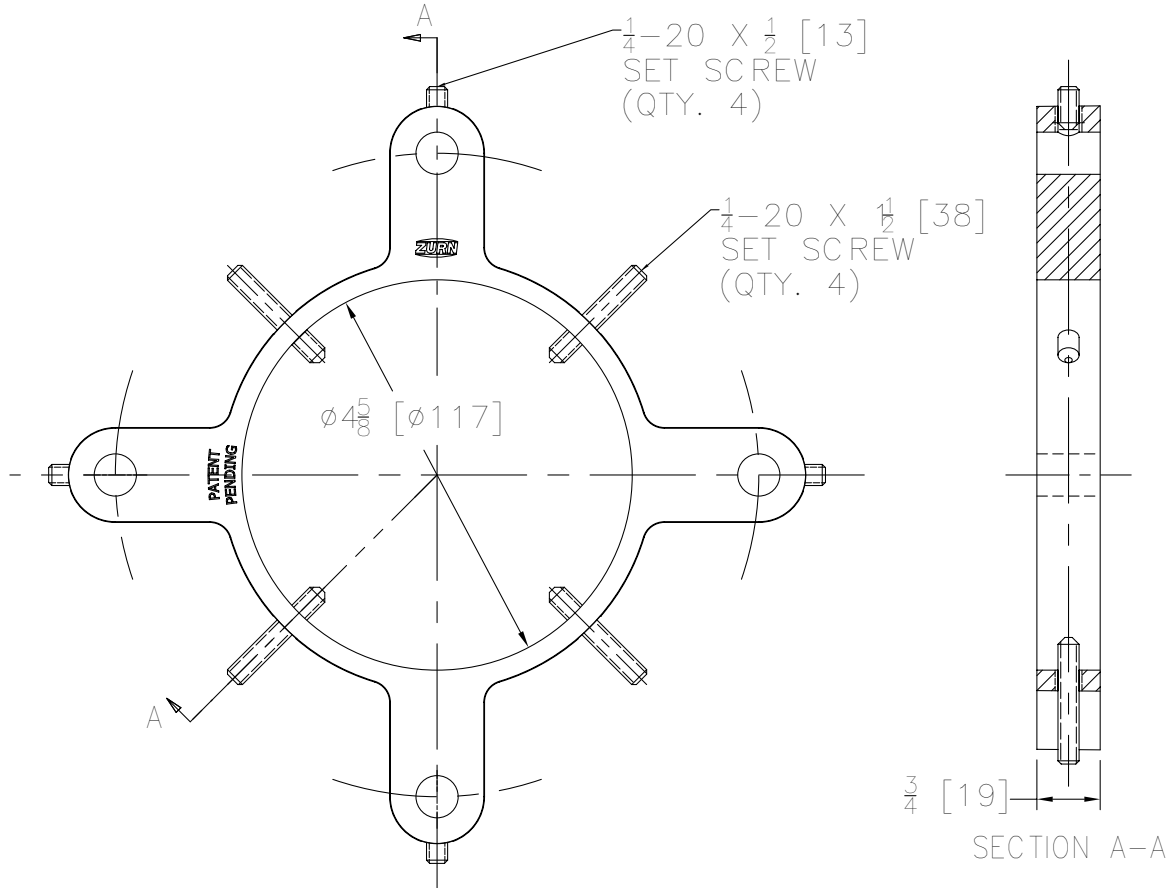
# Z400-SR

## FLOOR DRAIN STABILIZER RING

SPECIFICATION SHEET

TAG \_\_\_\_\_

Design and Dimensional Data (inches and [ mm ]) are Subject to Manufacturing Tolerances and Change Without Notice



| 'A'<br>Pipe Size In. | Approx. Wt.<br>Lbs. [kg] |
|----------------------|--------------------------|
| 2-4 [51-102]         | 2.5 [1]                  |

**ENGINEERING SPECIFICATION: ZURN Z400-SR**

Floor Drain Stabilizer Ring. Dura-Coated cast iron ring with four 1/4-20 x 1/2 [13] securing screws, four 1/4-20 x 1-1/2 [38] securing screws and four 3/8-16 x 7 [178] long threaded rods. Stabilizer ring is designed to accommodate 2 [51], 3 [76] and 4 [102] pipe and used with 8-3/8[213] diameter (Z415) drain body.

\*\* For Typical Installation Instructions - See Form #FD77

**⚠ WARNING:** Cancer and Reproductive Harm - [www.P65Warnings.ca.gov](http://www.P65Warnings.ca.gov)

**⚠ ADVERTENCIA:** Cáncer y daño reproductivo - [www.P65Warnings.ca.gov](http://www.P65Warnings.ca.gov)

**⚠ AVERTISSEMENT:** Cancer et effets néfastes sur la reproduction - [www.P65Warnings.ca.gov](http://www.P65Warnings.ca.gov)

Zurn Industries, LLC | Specification Drainage Operation  
1801 Pittsburgh Avenue, Erie, PA 16502, Ph. 855.663.9876

In Canada | Zurn Industries Limited  
7900 Goreway Drive, Unit 10, Brampton, Ontario L6T 5W6, Ph. 877.892.5216

[www.zurn.com](http://www.zurn.com)

Rev. D  
Date: 01/05/23  
C.N. No. 144898  
Patent [zurn.com/patents](http://zurn.com/patents)  
Prod. | Dwg. No. Z400-SR