



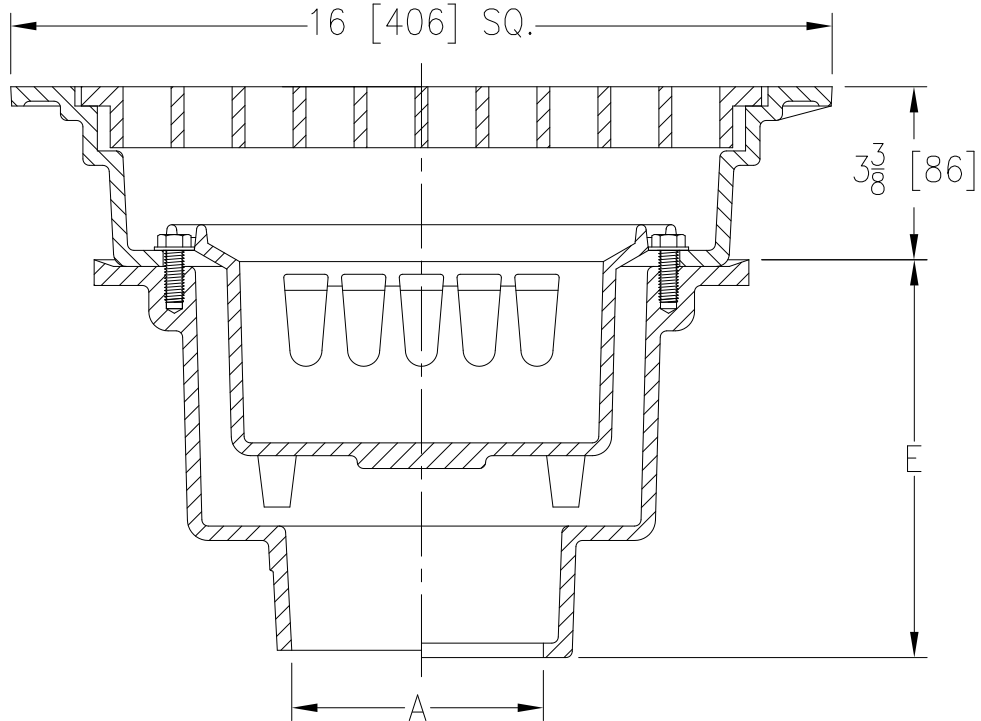
Z662-HF

16 [406] SQUARE TOP HEAVY-DUTY DRAIN W/HIGH FLOW DUCTILE IRON GRATE

SPECIFICATION SHEET

TAG _____

Dimensional Data (inches and [mm]) are Subject to Manufacturing Tolerances and Change Without Notice



A - Pipe Size in. [mm]	Approx. Wt. Lbs. [kg]	Grate Open Area Sq. In. [cm ²]
3, 4 [76, 102]	86 [30]	103 [665]
6 [152]	89 [40]	

ENGINEERING SPECIFICATION: ZURN Z662-HF

16" [406mm] Square top drain, Dura-Coated cast iron body with bottom outlet, seepage pan and combination membrane flashing clamp and frame for heavy-duty high flow ductile iron grate with suspended sediment bucket.

OPTIONS (Check/specify appropriate options)

PIPE SIZE

- ___ 4, 6 [102, 152]
- ___ 4, 6 [102, 152]
- ___ 4, 6 [102, 152]
- ___ 3, 4, 6 [76, 102, 152]
- ___ 3, 4 [76, 102]

(Specify size/type) **OUTLET**

- ___ IC Inside Caulk
- ___ IG Inside Gasket
- ___ IP Threaded
- ___ NH No-Hub
- ___ NL Neo-Loc

'E' BODY HT. DIM.

- ___ 7-3/4 [197]
- ___ 7-3/4 [197]
- ___ 6-5/16 [160]
- ___ 7-13/16 [198]
- ___ 7-3/16 [183]

PREFIXES

- ___ Z D.C.C.I. Body and Top*
- ___ ZB D.C.C.I Body w/ Polished Bronze Top (Add 3/16 [5] to 3-3/8 [86] and 11/16 [17] to 16 [406] Dim.)
- ___ ZN D.C.C.I Body w/ Polished Nickel Bronze Top (Add 3/16 [5] to 3-3/8 [86] and 11/16 [17] to 16 [406] Dim.)

SUFFIXES

- ___ -LY (Less) Sediment Bucket
- ___ -SS Stainless Mesh Liner for Bucket
- ___ -TC Neo-Loc Test Cap Gasket (3 [76] - 4 [102] NL Bottom Outlet Only)
- ___ -TS Top Secured with Slotted Screws
- ___ -VP Vandal-Proof Secured Top
- ___ -YA Aluminum Sediment Bucket

* Regularly furnished unless otherwise specified.