



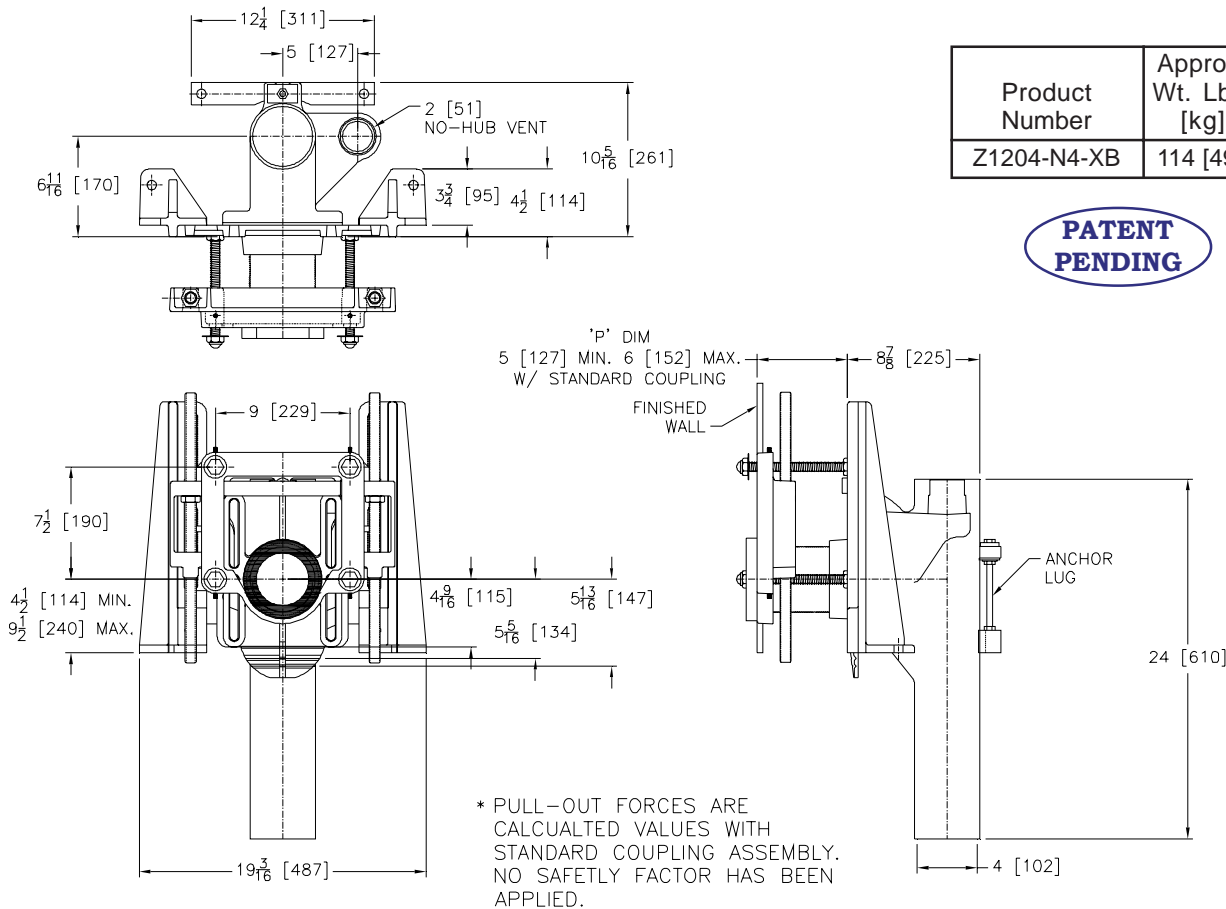
Z1204-N-XB

BARIATRIC CARRIER - 1000 LB. [454 KG.] ADJUSTABLE VERTICAL SIPHON JET NO-HUB

SPECIFICATION SHEET

TAG _____

Dimensional Data (inches and [mm]) are Subject to Manufacturing Tolerances and Change Without Notice



Product Number	Approx. Wt. Lbs. [kg]
Z1204-N4-XB	114 [49]

**PATENT
PENDING**

ENGINEERING SPECIFICATION: ZURN Z1204-N4-XB Adjustable, vertical siphon jet water closet "Rigid System" with 4 [102] No-Hub connections and optional side inlets rated for 1000-Lb. [454 kg.] maximum static load. Dura-Coated cast iron main fitting, with 2 [51] vent, adjustable gasketed faceplate, floor mounted foot supports, stud support / finishing frame, corrosion resistant adjustable cast iron coupling, fixture bolts, trim, and stud protectors. Complete with rear anchor tie down and bonded "Neo-Seal" gasket. Carrier complies with all applicable requirements of ASME A112.6.1M up to a 1000-Lb. [454-kg.] load.

OPTIONS (check/ specify appropriate options)

___ Z1204-N4-XB No-Hub Stack, Single Inlet, 2 [51] Right Hand Vent

PREFIXES

___ Z D.C.C.I. System with Zurn "ZZ" Adjustable Coupling*
___ ZQ D.C.C.I. System with NPT Face Plate, Non-Adjustable Coupling

SUFFIXES

___ -BC Back Cleanout
___ -G Galvanized Cast Iron
___ -JJ Two 2 [51] Auxiliary Inlets
___ -JL 2 [51] Left-Hand Auxiliary Inlet
___ -JR 2 [51] Right-Hand Auxiliary Inlet
___ -VL Left Hand Vent Connection
___ -VP Vandal-Proof Trim
___ -29 Mechanical Test Cap Assembly
___ -50 Flush Valve Supply Support for W.C.
___ -61 "ZZ" Coupling Wrench

Notes:

1. Feet and rear anchor bolted to floor using anchors capable of achieving the specified pull-out force.
2. Min. 'P' Dim. Obtainable=2 [51]
3. Back anchor foot mandatory for secure installation.
4. 2 [51] No-Hub vent connection regularly furnished on right hand side. Left hand available when specified (Suffix- VL)
5. Auxiliary inlet available right (-JR) or left (-JL) or both sides (-JJ) when specified.
6. Floor anchors each must be able to withstand a pull-out force of 745 lbs. [338 kg.]

*REGULARLY FURNISHED UNLESS OTHERWISE SPECIFIED

REV. B	DATE: 9/28/08	C.N. NO. 99141
DWG. NO. 82875		PRODUCT NO. Z1204-N-XB