



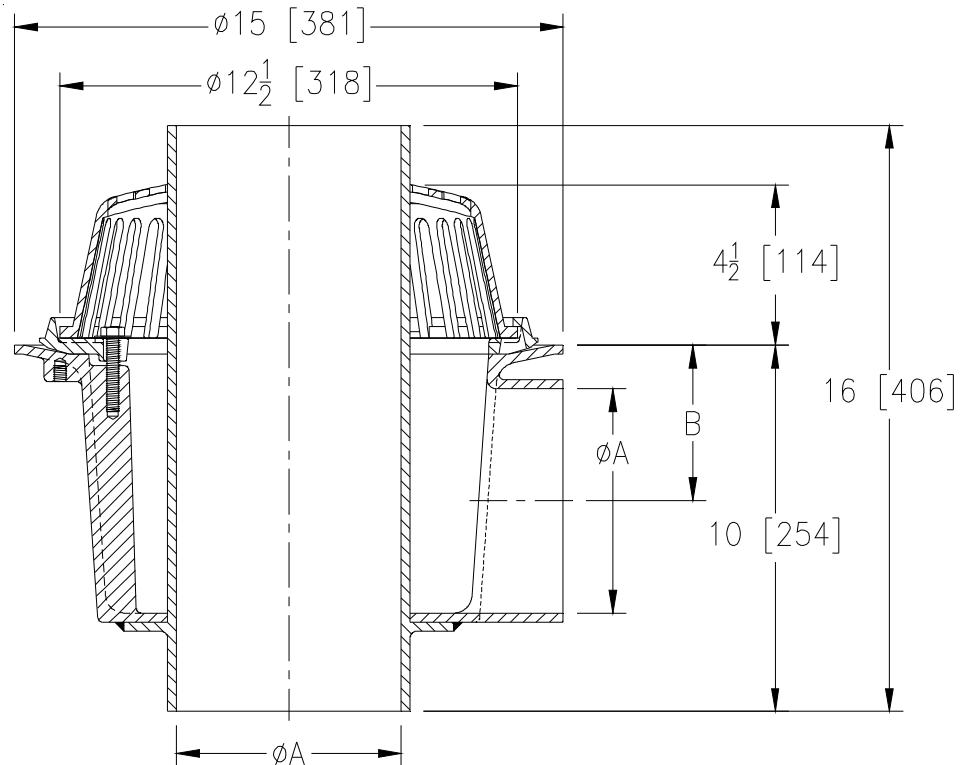
# Z103

## 15 [381] DIAMETER DEEP SUMP DUAL OUTLET ROOF DRAIN W/ LOW SILHOUETTE DOME

SPECIFICATION SHEET

TAG \_\_\_\_\_

Dimensional Data (inches and [ mm ]) are Subject to Manufacturing Tolerances and Change Without Notice



A Pipe Size In. [mm]	B In. [mm]	Approx. Wt. Lbs. [kg]	Dome Open Area Sq. In. [cm <sup>2</sup> ]
3 [76]	5-9/16 [141]	60 [27]	103 [665]
4 [102]	5-1/16 [129]		
6 [152]	4 [102]		

**ENGINEERING SPECIFICATION: ZURN Z103**  
 15" [381mm] Diameter dual outlet roof drain with 90° primary outlet connection. Dura-Coated cast iron deep sump body with combination membrane flashing clamp/gravel guard, overflow pipe (3", 4", 6" [76mm, 102mm, 152mm]) and low silhouette cast iron dome.

### OPTIONS (Check/specify appropriate options)

**PIPE SIZE** (Specify size) **OUTLET**  
 3,4,6 [76,102,152] \_\_\_\_\_ NH No-Hub

**PREFIXES**  
 \_\_\_\_\_ Z D.C.C.I. Body w/ Cast Iron Dome\*

- SUFFIXES**
- \_\_\_\_\_ -AR Acid Resistant Epoxy Coated Finish
  - \_\_\_\_\_ -C Underdeck Clamp
  - \_\_\_\_\_ -DP Top-Set® Deck Plate
  - \_\_\_\_\_ -DU Cast Iron Dome on Overflow Pipe
  - \_\_\_\_\_ -E Static Extension 1 [25] thru 4 [102] (Specify Ht)
  - \_\_\_\_\_ -G Galvanized Cast Iron
  - \_\_\_\_\_ -MS Perforated Screen on Overflow Pipe
  - \_\_\_\_\_ -SS Stainless Mesh Screen over Dome
  - \_\_\_\_\_ -VP Vandal-Proof Secured Top
  - \_\_\_\_\_ -2OF 2 [51] High Overflow Pipe
  - \_\_\_\_\_ -45 45° Primary Outlet Connection (3 & 4 [76,102] Pipe only)
  - \_\_\_\_\_ -84 Stainless Steel perforated Gravel Guard

\* Regularly furnished unless otherwise specified.