



Z5691

Extra Heavy Duty 1000 lb. Top Spud with ZurnSHIELD™ Powder Coating

TAG _____

Architectural/Engineering Specification:

ZurnSHIELD™ powder coated stainless steel bariatric extra heavy duty wall mounted 1.6 gpf low consumption siphon jet toilet with comfort sized seat. Toilet is seamlessly welded #16 gage, type 304 stainless steel with white antimicrobial powder coated exterior, brushed stainless steel finish in water contact area of sump, extra large elongated comfort sized rim and 1 1/2" spud inlet connection. Matching comfort sized seat is made from ZurnSHIELD™ polypropylene and is designed with integral self-centering safety bumpers that prevent unwanted patient weight shifts. Toilet system is load tested to withstand 1,000 lbs. without significant deflection when installed with our recommended Zurn-XB series of bariatric water closet carriers.

ZurnSHIELD™ protects the fixture and seat by inhibiting the growth of stain and odor causing mold mildew and bacteria, thus reducing the amount of time, chemicals and water to clean the seat.

Product Features:

- Load tested to withstand 1,000 lbs. heavy duty load rating when tested in accordance with ASME A112.19.12
- Paired system performance is guaranteed when installed with Zurn -XB Bariatric series of closet carrier against catastrophic load failure
- Extra large and elongated seating area for patient enhanced patient comfort
- 1.6 gallons of water per flush (6 Lpf)
- ZurnSHIELD™ powder coated exterior surface
- Brushed stainless steel finish in water contact area of sump
- Manufactured of type 304 stainless steel
- Seamless construction
- 15 1/2" x 13 1/2" large water spot
- 1-1/2" top spud connection
- 3-1/2" trap seal depth
- Open front, comfort sized seat
- Seat is molded with integral self-centering, non-shift safety bumpers
- Shipping weight: 65 lbs.

Compliance and Certification:

- Complies with ASME A119.2 / CSA B45.1
- ADA Compliant



Recommended Bariatric Carrier System:

- Z1203-N-XB: Adjustable horizontal 1,000 lb. bariatric siphon jet water closet carrier system.
- Z1204-N-XB: Adjustable vertical 1,000 lb. bariatric siphon jet water closet carrier system

Recommended Trim:

- Z6000AV-WS1 AquaVantage® 'AV' low consumption 1.6 gpf exposed closet flush valve.

NOTE: To ensure system performance minimum running water pressure = 25 PSI

Architectural/Engineering Approval

The information contained in this document is subject to change without notice. Please contact Zurn for most up to date information.



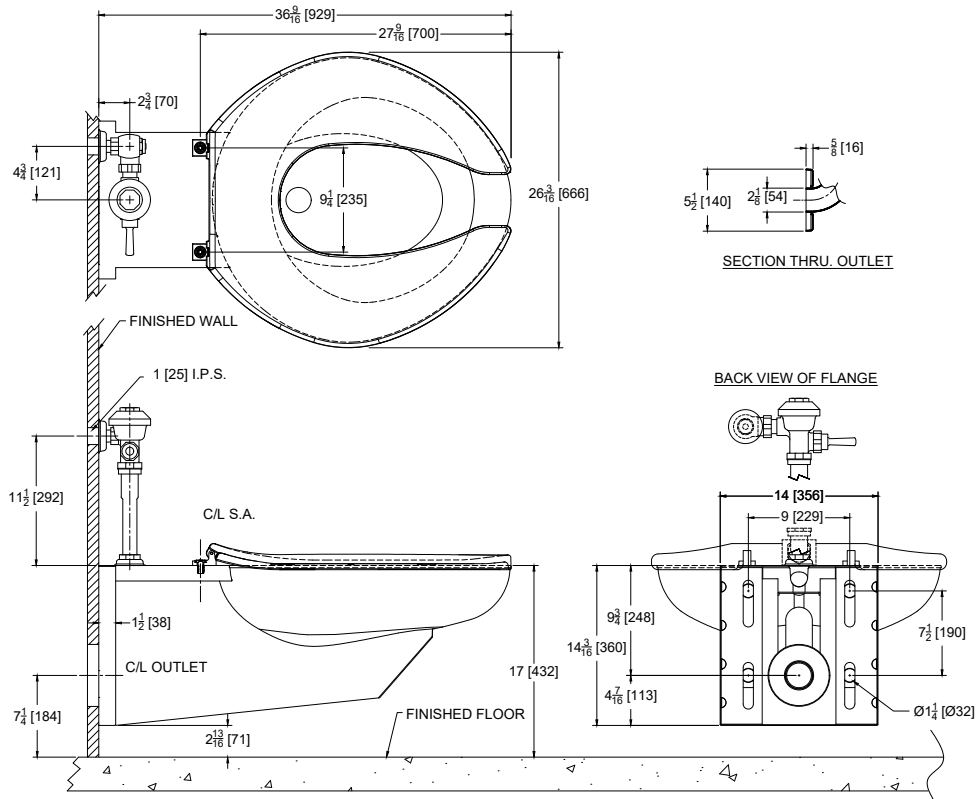


Z5691

Extra Heavy Duty 1000 lb. Top Spud with ZurnSHIELD™ Powder Coating

TAG _____

Rough-in dimensions/Overview dimensions



Note: For ADA compliance, rim height should be installed at 17"-19" from finished floor.