



Z5693

Extra Heavy-Duty 1000 lb. Antimicrobial Powder Coated Bariatric Wall Hung Flush Valve Toilet TAG



Z5693 Antimicrobial Coated Bariatric Wall Bowl

- Load tested to withstand 1,000 lbs. heavy duty load rating when tested in accordance with ASME/ANSI A112.19.12 standard
- Paired system performance is guaranteed when installed with Zurn -XB Bariatric series of closet carrier against catastrophic load failure
- Extra large and elongated seating area for patient enhanced patient comfort
- 1.6 gallons of water per flush (6 Lpf)
- Antimicrobial powder coated exterior surface
- Brushed stainless steel finish in water contact area of sump
- Manufactured of type 304 stainless steel
- Seamless construction
- 15 1/2" x 13 1/2" large water spot
- 1-1/2" back spud connection
- 3-1/2" trap seal depth
- Open front, comfort sized antimicrobial polypropylene seat
- Seat is molded with integral self-centering, non-shift safety bumpers
- Optional brushed stainless steel finish (see model number Z5692)
- Shipping weight: 65 lbs.

Recommended Bariatric Carrier System:

- Z1203-N-XB:** Adjustable horizontal 1,000 lb. bariatric siphon jet water closet carrier system.
- Z1204-N-XB:** Adjustable vertical 1,000 lb. bariatric siphon jet water closet carrier system.

Recommended Trim:

- Z6152AV-WS1** AquaVantage® 'AV' low consumption 1.6 gpf concealed closet flush valve.

Note: To ensure system performance minimum running water pressure = 25 PSI

These dimensions and specifications are subject to change without notice.

Fixture dimensions meet ANSI/ASME standard A112.19.2 and CAN/CSA B45 requirements.

Meets the American Disabilities Guidelines and ANSI A117.1 requirements when installed according to these requirements.



This space is for Architectural/engineering Approval

See Zurn One Systems for suggested packages.

Engineering Specification: Z5693 Antimicrobial Powder Coated Bariatric Stainless Steel 1,000 lb. Wall Mounted Toilet

Antimicrobial powder coated stainless steel bariatric extra heavy duty wall mounted 1.6 gpf (6 Lpf) low consumption siphon jet toilet with comfort sized seat. Toilet is seamlessly welded #16 gage, type 304 stainless steel with white antimicrobial powder coated exterior, brushed stainless steel finish in water contact area of sump, extra large elongated comfort sized rim and 1 1/2" top spud inlet connection. Matching comfort sized seat is made from antimicrobial polypropylene and is designed with integral self-centering safety bumpers that prevent unwanted patient weight shifts. Toilet system is load tested to withstand 1,000 lbs. without significant deflection when installed with our recommended Zurn-XB series of bariatric water closet carriers.

ZURN INDUSTRIES, LLC. ♦ COMMERCIAL BRASS OPERATION
5900 ELWIN BUCHANAN DRIVE ♦ SANFORD NC 27330
Phone: 1-800-997-3876 ♦ Fax: 919-775-3541
www.zurn.com

In Canada: ZURN INDUSTRIES LIMITED
3544 Nashua Drive ♦ Mississauga, Ontario L4V1L2
Phone: 905-405-8272 Fax: 905-405-1292



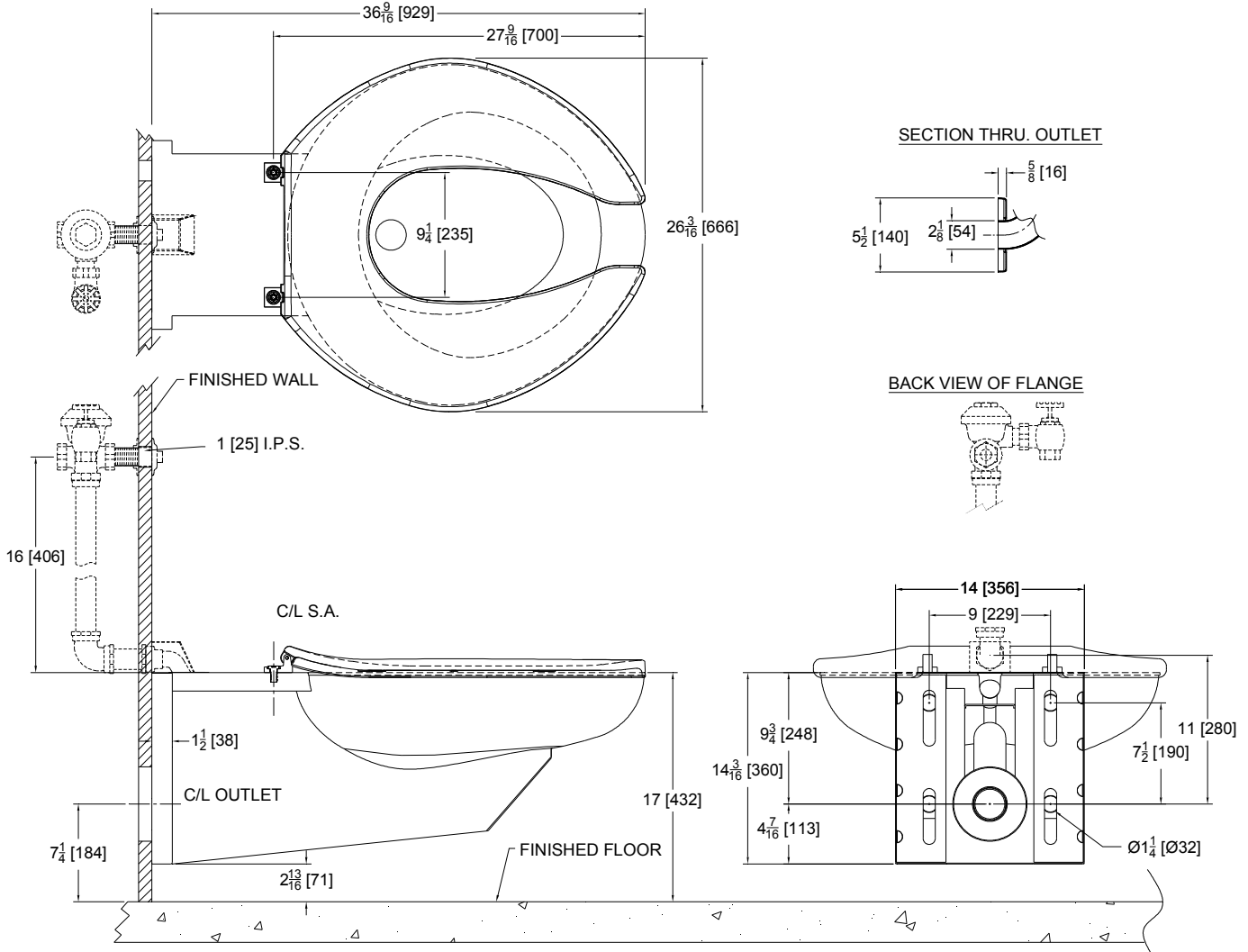
Z5693

Extra Heavy-Duty 1,000 lb. Antimicrobial Powder Coated Bariatric Wall Hung Flush Valve Toilet TAG

Rough-in dimensions for Z5692 and Z5693Series

- Z5692 with back spud and brushed stainless steel finish.
- Z5693 with back spud and antimicrobial powder coated finish.

(Note: water contact area in bowl sump is uncoated)



These dimensions and specifications are subject to change without notice.

Fixture dimensions meet ANSI/ASME standard A112.19.2 and CAN/CSA B45 requirements.

Meets the American Disabilities Guidelines and ANSI A117.1 requirements when installed according to these requirements.



Note: For ADA compliance, rim height should be installed 17" from finished floor.

ZURN INDUSTRIES, LLC. ♦ COMMERCIAL BRASS OPERATION
 5900 ELWIN BUCHANAN DRIVE ♦ SANFORD NC 27330
 Phone: 1-800-997-3876 ♦ Fax: 919-775-3541
 www.zurn.com
 In Canada: ZURN INDUSTRIES LIMITED
 3544 Nashua Drive ♦ Mississauga, Ontario L4V1L2
 Phone: 905-405-8272 Fax: 905-405-1292