



# SINK FAUCET Z842C1-XL

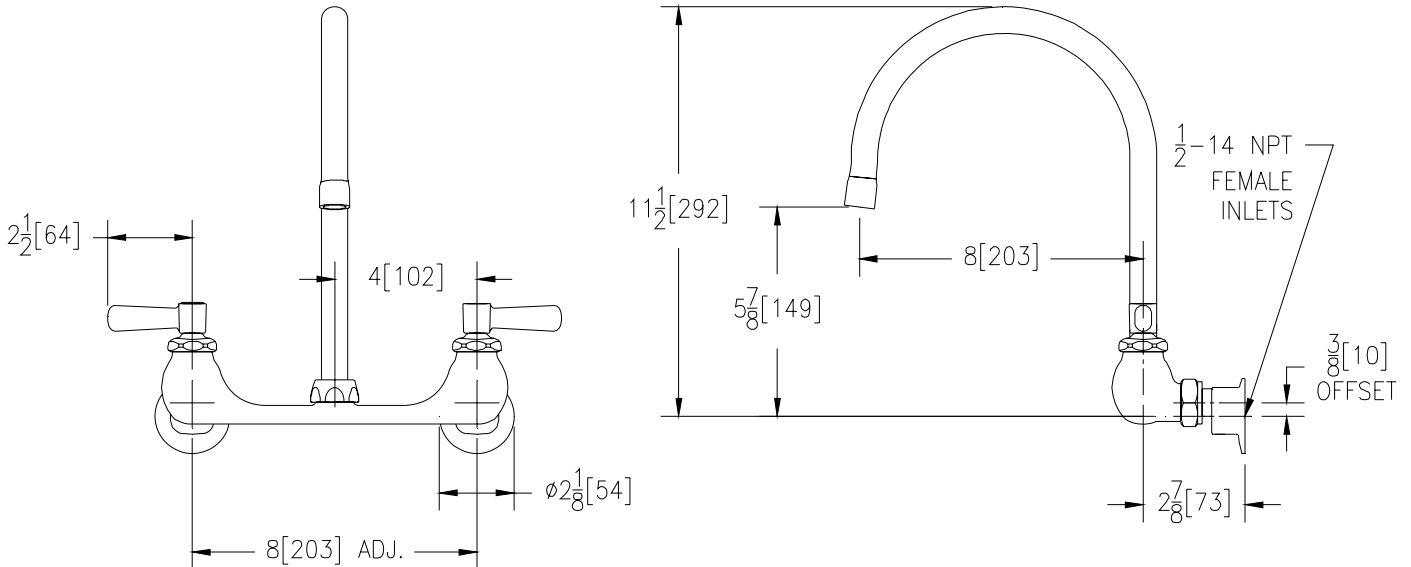
TAG \_\_\_\_\_



### Engineering Specifications: Zurn AquaSpec® Z842C1-XL

Polished chrome-plated cast brass 8" [203mm] sink faucet with quarter turn ceramic disc cartridges, 3/8" [10mm] short swivel inlets providing adjustable centers from 7-1/4" [184mm] to 8-3/4" [222mm] and a 8" [203mm] centerline rigid or swing gooseneck spout with a 2.2 GPM [8.3 L] pressure compensating aerator (Complying with ANSI A112.18.1 Standard for flow). Unit is furnished with 2-1/2" [64mm] vandal-resistant color-coded metal lever handles.

Zurn Lead Compliant\* "XL" products are a line of durable, high quality brass faucets and fixtures that are designed and manufactured to comply with state laws and local codes that mandate lead content levels. Zurn "XL" products are manufactured with \*not more than 0.25% lead content when used with respect to wetted surfaces of pipes and pipe fittings, plumbing fitting and fixtures: California Health & Safety Code § 116875; Vermont 9 VCA § 2470h.



Note: All dimensions are for reference only. Do not use for pre-plumbing

### OPTIONAL ACCESSORIES

| Suffix  | Description   |
|---------|---|
| ___-FC  | 2.0 GPM [7.6 L] Laminar Flow Control in Base of Spout                             |
| ___-HCT | Hot/Cold Text Indexes   |
| ___-LSI | 2-1/2" [64mm] Long Swivel Inlets with Integral Stops                              |
| ___-2F  | 2.2 GPM [8.3 L] Vandal-Resistant Pressure Compensating Female Aerator             |
| ___-3F  | 0.5 GPM [1.9 L] Vandal-Resistant Pressure Compensating Female Spray Outlet        |
| ___-4F  | 2.2 GPM [8.3 L] Vandal-Resistant Pressure Compensating Female Laminar Flow Outlet |
| ___-7F  | 1.0 GPM [3.8 L] Pressure Compensating Female Spray Outlet                         |
| ___-16F | 1.0 GPM [3.8 L] Vandal Resistant Pressure Compensating Female Spray Outlet        |
| ___-17F | 1.5 GPM [5.7 L] Vandal Resistant Pressure Compensating Female Aerator             |
| ___-18F | 1.5 GPM [5.7 L] Vandal Resistant Pressure Compensating Female Laminar Flow        |
| ___-19F | 1.5 GPM [5.7 L] Anti-Microbial Pressure Compensating Female Laminar Flow Outlet   |
| ___-21F | 1.0 GPM [3.8L] Pressure Compensating Female Laminar Flow Outlet                   |
| ___-22F | 1.0 GPM [3.8L] Vandal-Resistant Pressure Compensating Female Laminar Flow Outlet  |
| ___-23F | 1.5 GPM [5.7L] Pressure Compensating Female Aerator                               |



ZURN INDUSTRIES, LLC ♦ COMMERCIAL BRASS OPERATION ♦ 2640 SOUTH WORK STREET ♦ FALCONER NY 14733

Phone: 1-800-997-3876 ♦ Fax: 1-919-775-3541 ♦ www.zurn.com

In Canada: ZURN INDUSTRIES LIMITED ♦ 3544 Nashua Drive ♦ Mississauga, Ontario L4V1L2 ♦ Phone: 905/405-8272 Fax: 905/405-1292