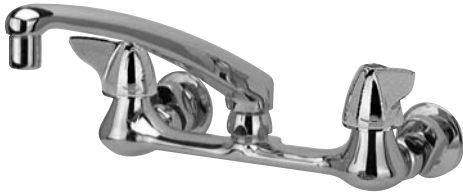




SINK FAUCET Z842G3-XL

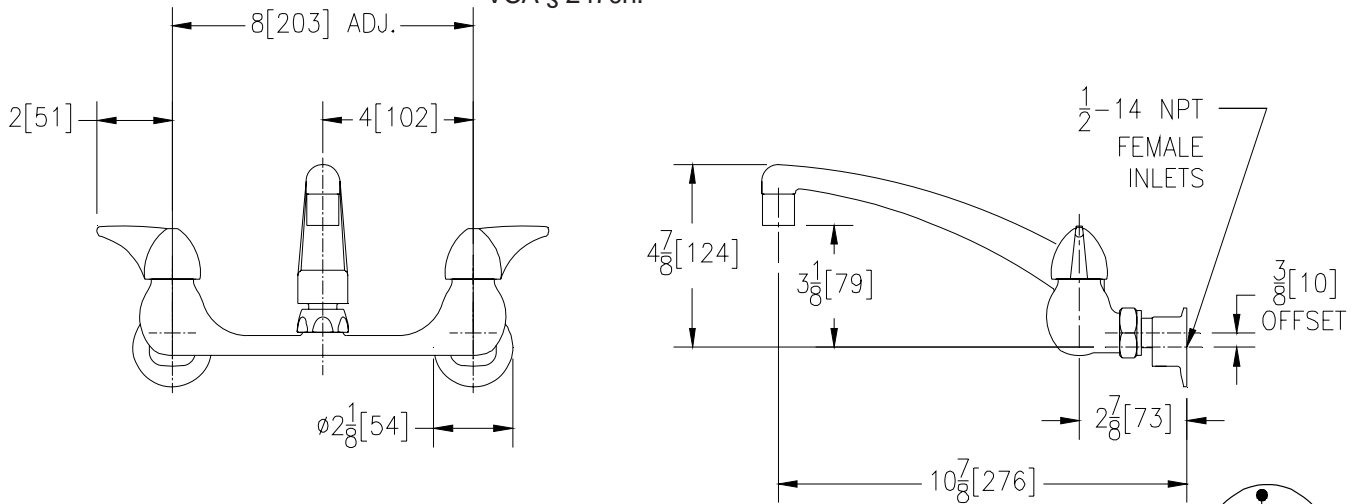
TAG _____



Engineering Specifications: Zurn AquaSpec® Z842G3-XL

Polished chrome-plated cast brass 8" [203mm] sink faucet with quarter turn ceramic disc cartridges, 3/8" [10mm] short swivel inlets providing adjustable centers from 7-1/4" [184mm] to 8-3/4" [222mm] and a 8" [203mm] cast brass swing spout with a 2.2 GPM [8.3 L] pressure compensating aerator (complying with ANSI A112.18.1 Standard for flow). Unit is furnished with 2" [51mm] vandal resistant color-coded metal dome lever handles.

Zurn Lead Compliant* "XL" products are a line of durable, high quality brass faucets and fixtures that are designed and manufactured to comply with state laws and local codes that mandate lead content levels. Zurn "XL" products are manufactured with *not more than 0.25% lead content when used with respect to wetted surfaces of pipes and pipe fittings, plumbing fitting and fixtures: California Health & Safety Code § 116875; Vermont 9 VCA § 2470h.



Note: All dimensions are for reference only. Do not use for pre-plumbing

OPTIONAL ACCESSORIES

Suffix	Description
__-HCT	Hot/Cold Text Indexes
__-LSI	2-1/2" [64mm] Long Swivel Inlets with Integral Stops
__-2F	2.2 GPM [8.3 L] Vandal-Resistant Pressure Compensating Female Aerator
__-3F	0.5 GPM [1.9 L] Vandal-Resistant Pressure Compensating Female Spray Outlet
__-4F	2.2 GPM [8.3 L] Vandal-Resistant Pressure Compensating Female Laminar Flow Outlet
__-7F	1.0 GPM [3.8 L] Pressure Compensating Female Spray Outlet
__-16F	1.0 GPM [3.8 L] Vandal Resistant Pressure Compensating Female Spray Outlet
__-17F	1.5 GPM [5.7 L] Vandal Resistant Pressure Compensating Female Aerator
__-18F	1.5 GPM [5.7 L] Vandal Resistant Pressure Compensating Female Laminar Flow
__-19F	1.5 GPM [5.7 L] Anti-Microbial Pressure Compensating Female Laminar Flow Outlet
__-21F	1.0 GPM [3.8L] Pressure Compensating Female Laminar Flow Outlet
__-22F	1.0 GPM [3.8L] Vandal-Resistant Pressure Compensating Female Laminar Flow Outlet
__-23F	1.5 GPM [5.7L] Pressure Compensating Female Aerator

ZURN INDUSTRIES, LLC ♦ COMMERCIAL BRASS OPERATION ♦ 2640 SOUTH WORK STREET ♦ FALCONER NY 14733

Phone: 1-800-997-3876 ♦ Fax: 1-919-775-3541 ♦ www.zurn.com

In Canada: ZURN INDUSTRIES LIMITED ♦ 3544 Nashua Drive ♦ Mississauga, Ontario L4V1L2 ♦ Phone: 905/405-8272 Fax: 905/405-1292