


NOTES:

- FOR GRAVITY APPLICATIONS ONLY.
- ALL PROCEPTOR UNITS ARE MANUFACTURED WITH FIBERGLASS REINFORCED PLASTICS. PHYSICAL CHARACTERISTICS AND THICKNESS: POLYESTER RESIN AND E GLASS MINIMUM THICKNESS 1/4" WALL AND 3/8" TOP AND BOTTOM BOWLS.
- ALL PROCEPTOR UNITS ARE TO BE INSTALLED IN ACCORDANCE WITH THE MANUFACTURER'S INSTALLATION INSTRUCTION.
- STANDARD PIPING IS SCH. 40 PVC.
- GMC/OMC 500 - 3000 UNITS COME STANDARD WITH 4" INLET AND OUTLET (OTHER PIPE SIZE OPTIONS AVAILABLE ON REQUEST).
- EXTENSION COLLAR TO BE ORDERED TO MEET FINISHED GRADE, CUT ON SITE FOR FINAL ADJUSTMENT AND CAULKED WITH SIKAFLEX BY CONTRACTOR FOR WATERTIGHT SEAL.
- COVERS AVAILABLE FOR H2O TRAFFIC LOADING, PEDESTRIAN LOADING OR ABOVE GROUND INSTALLATION.
- CONSULT GREEN TURTLE FOR OTHER SIZES.
- 30 YEAR WARRANTY AGAINST LEAKS, AND STRUCTURAL FAILURE.
- U.S. PATENT #5,746,912; CDN PATENT #2,195,822

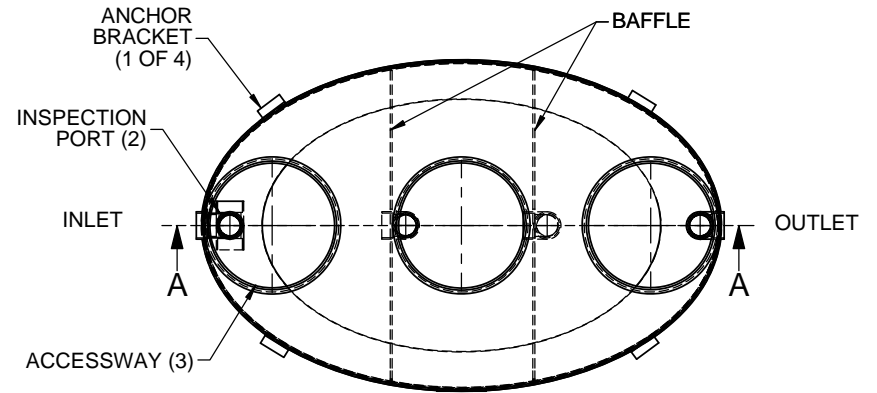
US PAT. # 5746912

Proceptor[®] 

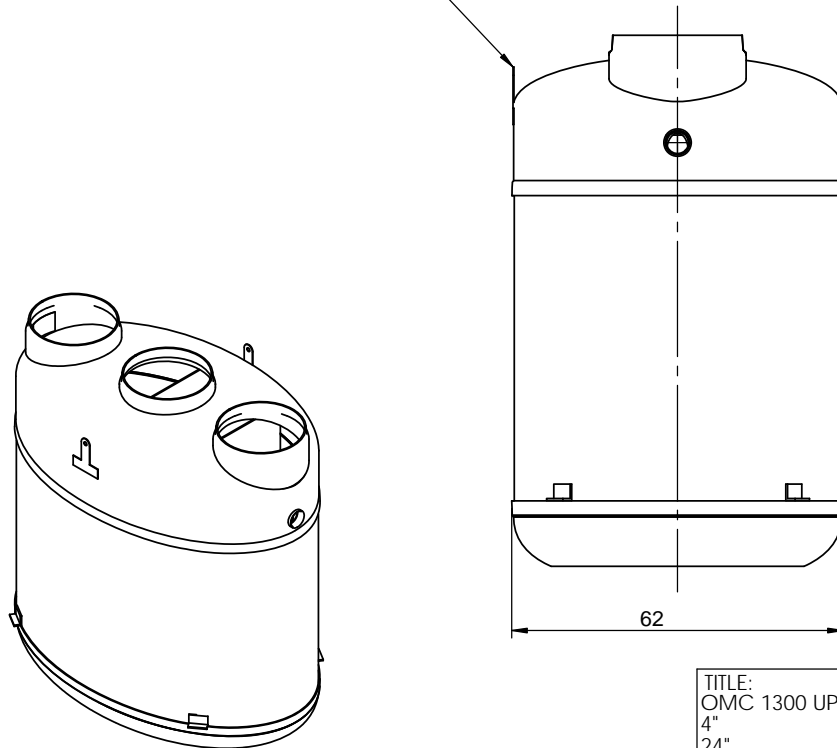
MANUFACTURER: GREEN TURTLE TECHNOLOGIES

PROCEPTOR MODEL NUMBER: OMC 1300 UPC
 LIQUID CAPACITY (WORKING VOLUME): 1300 US GAL.
 RATED FLOW: STD. MAX BURIAL DEPTH TO TOP OF TANK: 6 FT.
 MONTH/YEAR OF MANUFACTURE: 1133 PSF

DETAIL "A"

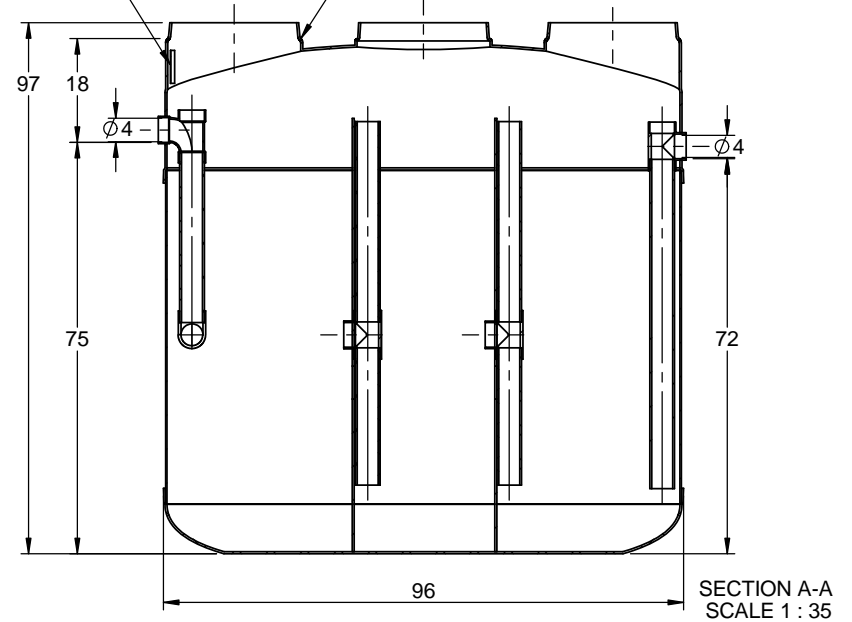


STEEL LIFTING LUGS



DETAIL "A" LABEL INSIDE AND OUTSIDE

EXTENSION COLLAR SEAT



SECTION A-A
SCALE 1 : 35

MANUFACTURED IN COMPLIANCE WITH IAPMO PS 80-2008

TITLE: PROCEPTOR GALLON INTERCEPTOR		REV	DATE	DRAWN
4" INLET & OUTLET ACCESSWAYS		1	6/15/04	F. CHANDLER
PROJECT: WO:		2	9/15/05	
AVAILABLE OPTIONS (CHECKED IF REQUESTED)		3	DEC. 27, 2006	L. SIMKINS
OIL/GREASE SENSOR ALARM		4	SEPTEMBER 15, 2009	L. SIMKINS
SUCTION PIPE FOR INDOOR INSTALLATION		5	NOVEMBER 17, 2009	L. SIMKINS
COALESCER (FOR OIL ONLY)10ppm TREATMENT		6	APRIL 5, 2012	L. SIMKINS
DOUBLE WALL CONSTRUCTION		7	FEBRUARY 14, 2013	S. MANGAT
		8	JULY 17, 2015	
		9		
		10		
		DRAWN BY: F. CHANDLER		
		DATE DRAWN: 6/15/04		

Proceptor[®]
 by greenturtle[®]
 US 877 428 8187 CAN 877 966 9444
 www.greenturtletech.com

SIZE	DWG. NO.	REV.
A	OMC 1300	8
SCALE:1:35	DO NOT SCALE DRAWING	SHEET 1 OF 1