

NOTES:

- FOR GRAVITY APPLICATIONS ONLY.
- ALL PROCEPTOR UNITS ARE MANUFACTURED WITH FIBERGLASS REINFORCED PLASTICS. PHYSICAL CHARACTERISTICS AND THICKNESS: POLYESTER RESIN AND E GLASS MINIMUM THICKNESS 1/4" WALL AND 3/8" TOP AND BOTTOM BOWLS.
- ALL PROCEPTOR UNITS ARE TO BE INSTALLED IN ACCORDANCE WITH THE MANUFACTURER'S INSTALLATION INSTRUCTION.
- STANDARD PIPING IS SCH. 40 PVC.
- GMC/OMC 500 - 3000 UNITS COME STANDARD WITH 4" INLET AND OUTLET (OTHER PIPE SIZE OPTIONS AVAILABLE ON REQUEST).
- EXTENSION COLLAR TO BE ORDERED TO MEET FINISHED GRADE, CUT ON SITE FOR FINAL ADJUSTMENT AND CAULKED WITH SIKAFLEX BY CONTRACTOR FOR WATERTIGHT SEAL.
- COVERS AVAILABLE FOR H20 TRAFFIC LOADING, PEDESTRIAN LOADING OR ABOVE GROUND INSTALLATION.
- CONSULT GREEN TURTLE FOR OTHER SIZES.
- 30 YEAR WARRANTY AGAINST LEAKS, AND STRUCTURAL FAILURE.
- U.S. PATENT #5,746,912; CDN PATENT #2,195,822

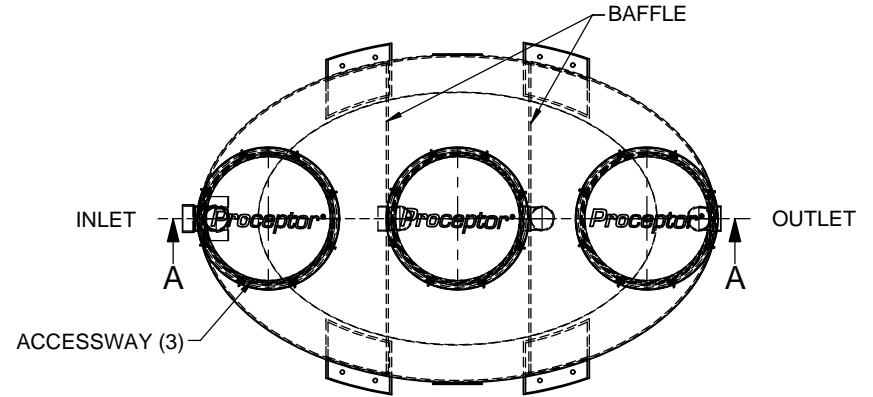
US PAT. # 5746912

Proceptor[®]

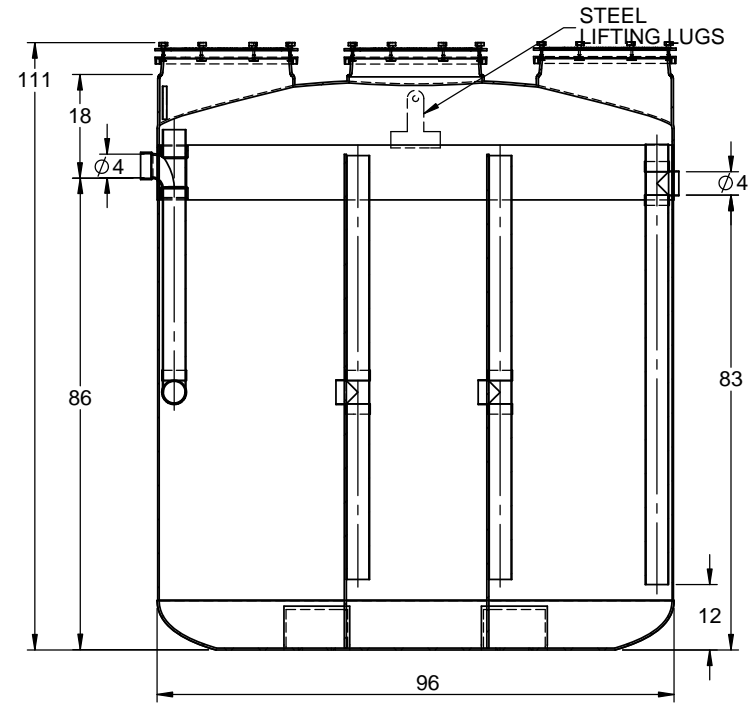
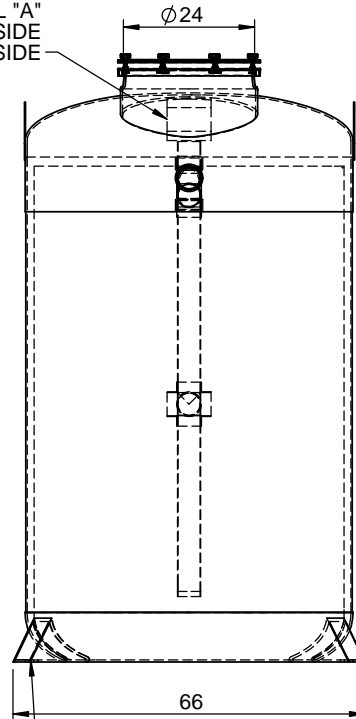
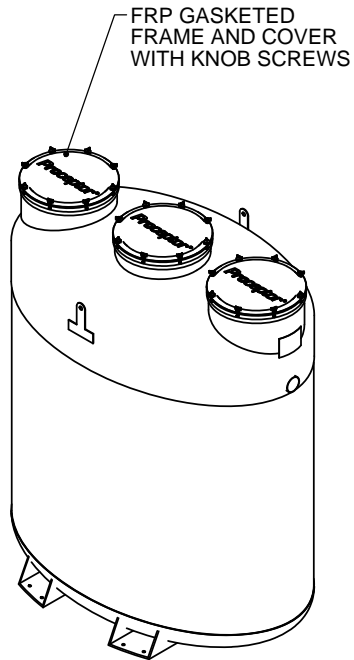


MANUFACTURER: GREEN TURTLE TECHNOLOGIES
 PROCEPTOR MODEL NUMBER: OMC 1500 UPC
 LIQUID CAPACITY (WORKING VOLUME): 1500 US GAL.
 RATED FLOW:
 STD. MAX BURIAL DEPTH TO TOP OF TANK: 6 FT.
 MAX VERTICAL LOAD: 1133 PSF
 MONTH/YEAR OF MANUFACTURE:

DETAIL "A"



DETAIL "A"
 LABEL INSIDE
 AND OUTSIDE



SECTION A-A
 SCALE 1 : 35

MANUFACTURED IN COMPLIANCE WITH
 IAPMO PS 80-2008

TITLE: PROCEPTOR OIL SEPARATOR OMC 1500 UPC GALLON INTERCEPTOR 4" INLET & OUTLET 24" ACCESSWAYS		REV	DATE	DRAWN
PROJECT: WO:		1	JULY 8, 2008	L. SIMKINS
AVAILABLE OPTIONS (CHECKED IF REQUESTED)		2	SEPTEMBER 15, 2009	L. SIMKINS
<input type="checkbox"/> OIL/GREASE SENSOR ALARM		3	NOVEMBER 17, 2009	L. SIMKINS
<input type="checkbox"/> SUCTION PIPE FOR INDOOR INSTALLATION		4	APRIL 5, 2012	L. SIMKINS
<input type="checkbox"/> COALESCER (FOR OIL ONLY)10ppm TREATMENT		5	FEBRUARY 14, 2013	S. MANGAT
<input type="checkbox"/> DOUBLE WALL CONSTRUCTION		6		
<input checked="" type="checkbox"/> ABOVE GROUND CONFIGURATION		7		
DRAWN BY: L. SIMKINS		8		
DATE DRAWN: SEPTEMBER 25, 2007		9		
		10		

Proceptor[®]
 by greenturtle[®]
 US 877 428 8187 CAN 877 966 9444
 www.greenturtletech.com

SIZE	DWG. NO.	REV.
A	OMC 1500 UPC	5
SCALE:1:35	DO NOT SCALE DRAWING	SHEET 1 OF 1