

NOTES:

1. FOR GRAVITY APPLICATIONS ONLY.
2. ALL PROCEPTOR UNITS ARE MANUFACTURED WITH FIBERGLASS REINFORCED PLASTICS. PHYSICAL CHARACTERISTICS AND THICKNESS: POLYESTER RESIN AND E GLASS MINIMUM THICKNESS 1/4" WALL AND 3/8" TOP AND BOTTOM BOWLS.
3. ALL PROCEPTOR UNITS ARE TO BE INSTALLED IN ACCORDANCE WITH THE MANUFACTURERS INSTALLATION INSTRUCTION.
4. STANDARD PIPING IS SCH. 40 PVC.
5. GMC/OMC 500 - 3000 UNITS COME STANDARD WITH 4" INLET AND OUTLET (OTHER PIPE SIZE OPTIONS AVAILABLE ON REQUEST).
6. EXTENSION COLLAR TO BE ORDERED TO MEET FINISHED GRADE, CUT ON SITE FOR FINAL ADJUSTMENT AND CAULKED WITH SIKAFLEX BY CONTRACTOR FOR WATERTIGHT SEAL.
7. COVERS AVAILABLE FOR H2O TRAFFIC LOADING, PEDESTRIAN LOADING OR ABOVE GROUND INSTALLATION.
8. CONSULT GREEN TURTLE FOR OTHER SIZES.
9. 30 YEAR WARRANTY AGAINST LEAKS, AND STRUCTURAL FAILURE.
10. U.S. PATENT #5,746,912; CDN PATENT #2,195,822

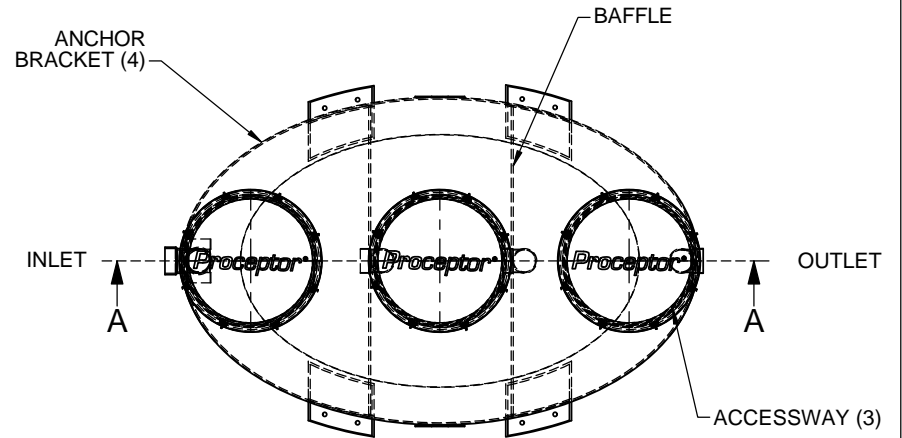
US PAT. # 5746912

Proceptor®

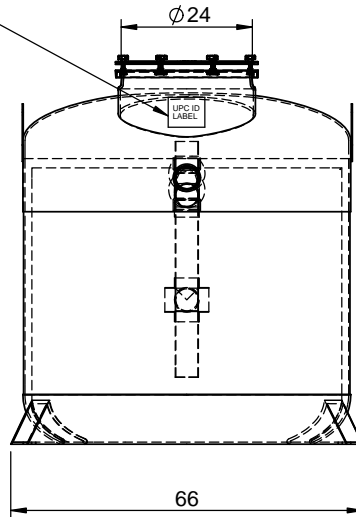


MANUFACTURER: GREEN TURTLE TECHNOLOGIES
 PROCEPTOR MODEL NUMBER: OMC 750 UPC
 LIQUID CAPACITY (WORKING VOLUME): 750 US GAL.
 RATED FLOW: STD. MAX BURIAL DEPTH TO TOP OF TANK: 6 FT.
 MAX VERTICAL LOAD: 1133 PSF
 MONTH/YEAR OF MANUFACTURE:

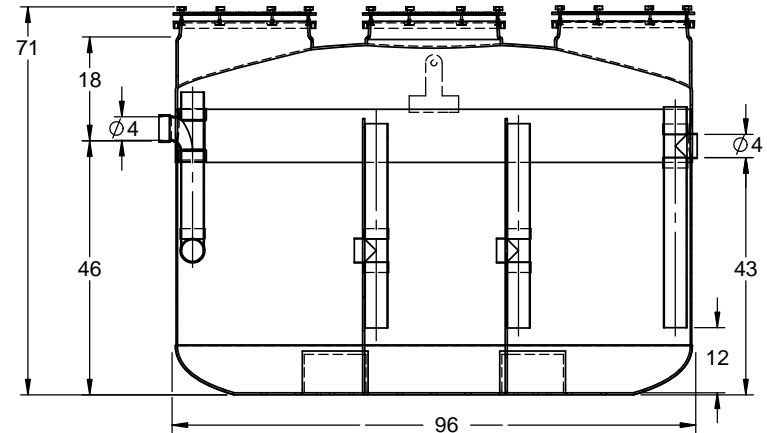
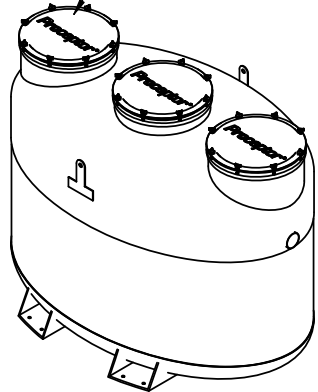
DETAIL "A"



DETAIL "A" LABEL INSIDE AND OUTSIDE



FRP GASKETED FRAME AND COVER WITH KNOB SCREWS



SECTION A-A
SCALE 1 : 35

MANUFACTURED IN COMPLIANCE WITH IAPMO PS 80-2008

REV	DATE	DRAWN
1	6/15/04	F. CHANDLER
2	9/15/05	L. SIMKINS
3	DEC. 27, 2006	L. SIMKINS
4	SEPTEMBER 15, 2009	L. SIMKINS
5	NOVEMBER 17, 2009	L. SIMKINS
6	APRIL 3, 2012	L. SIMKINS
7	FEBRUARY 14, 2013	S. MANGAT
8		
9		
10		

TITLE: PROCEPTOR OIL SEPARATOR OMC 750 UPC GALLON INTERCEPTOR 4" INLET & OUTLET 24" ACCESSWAYS	PROJECT: WO:
AVAILABLE OPTIONS (CHECKED IF REQUESTED)	
<input type="checkbox"/> OIL/GREASE SENSOR ALARM	
<input type="checkbox"/> SUCTION PIPE FOR INDOOR INSTALLATION	
<input type="checkbox"/> COALESCER (FOR OIL ONLY) 10ppm TREATMENT	
<input type="checkbox"/> DOUBLE WALL CONSTRUCTION	
<input checked="" type="checkbox"/> ABOVE GROUND CONFIGURATION	

DRAWN BY: F. CHANDLER	DATE DRAWN: 6/15/04
-----------------------	---------------------

Proceptor®
 by greenturtle®
 US 877 428 8187 CAN 877 966 9444
 www.greenturtletech.com

SIZE A	DWG. NO. OMC 750 UPC	REV. 7
SCALE: 1:35	DO NOT SCALE DRAWING	SHEET 1 OF 1