

Application

The Zurn Wilkins Model ZW209E Pilot Operated Pressure Reducing Valve is designed for many applications where the reduction of high inlet pressures to safe and stable outlet pressure is required. The pilot assembly reacts to changes in downstream pressure allowing the main valve to modulate between the closed and open position ensuring a constant downstream set pressure. Once the downstream pressure reaches the pilot setting, the main valve will seal shut preventing damage downstream. Pressure regulation is not dependent upon flow rate, resulting in minimal pressure loss through the valve. A solenoid control and accelerator pilot are provided to intercept the operation of the pressure reducing control and close the main valve. In addition the Model ZW209E comes standard with epoxy coating internally and externally for corrosion protection, as well as isolation valves and pressures gauges for quick and easy maintenance or repair.

Standards Compliance:

- ANSI/AWWA C530
- Meets the requirements of NSF/ANSI 61*
*(0.25% MAX. WEIGHTED AVERAGE LEAD CONTENT)

Materials

Main Valve Body	Ductile Iron ASTM A536
Main Valve Bonnet	Ductile Iron ASTM A536
Disc Guide	Stainless Steel
Seat	Stainless Steel
Disc	Buna-N Rubber
Diaphragm	Nylon Reinforced Buna-N
Stem	Stainless Steel
Spring	Stainless Steel

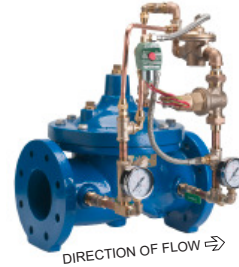
*The closing speed control (optional) on this valve should always be open at least three (3) turns off its seat.

Standard Features

- Blue Epoxy Coated, FDA Approved
- Pilot Assembly
 - SXL "Wye" Type Strainer
 - 2-Way Accelerator Pilot
 - Opening Speed Control (sizes 1 1/4" - 4")
 - Isolation Ball Valves
- Inlet and Outlet Pressure Gauges
- ANSI Class 150 Flanges
- Copper Tubing and Brass Fittings

TEMPERATURE RATING: Water 33°F to 140°F
 PILOT SPRING RANGE: 15-150 psi
 MAX. OPERATING PRESSURE DIFFERENTIAL: 200 psi

BODY CONFIGURATIONS		GLOBE STYLE BODY		ANGLE STYLE BODY
END CONNECTION	PRESSURE RATING	FULL PORT	REDUCED PORT	
Threaded	400 psi max.	1 1/4"-3"	n/a	1 1/4"-3"
Flanged	ANSI Class 150, 250 psi max.	1 1/2"-16"	3"-10"	1 1/2"-10"
	ANSI Class 300, 400 psi max.			
Grooved	300 psi max.	1 1/2"-10"	n/a	1 1/2"-10"
MINIMUM INLET PRESSURE 10 PSI				



Options (Add suffix letters to ZW209E)

Function

- C 40XL2 Hydraulic Check with Isolation Valve
- L SC1 Closing Speed Control*
- O SC1 Opening Speed Control (Standard 1 1/4" - 4")

Body

- A Angle Style Body
- R Reduced Port Body

Connections

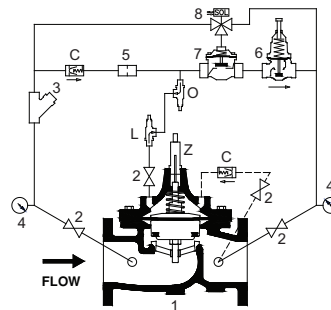
- G IPS Grooved
- TH NPT Threaded
- Y ANSI Class 300 Flanges

Main Valves Options

- Z ZPI Visual Position Indicator

Pilot System

- HP 30-300 psi High Pressure Range PV-PRD Pilot (replaces NR3XL)
- ST Stainless Steel Tubing ("included with SP option, only replaces Copper Tubing")
- SP All Stainless Steel Pilotry (replaces all brass fittings, pilot valve and copper tubing)
- SH Stainless Steel Braided Hoses (only replaces Copper Tubing)
- NC Normally Closed (energize to open) Main Valve, 120vac Solenoid
- NO Normally Open (energize to close) Main Valve 120vac Solenoid
- 24NC Normally Closed (energize to open) Main Valve, 24vac Solenoid
- 24NO Normally Open (energize to close) Main Valve 24vac Solenoid
- NS Non-Standard Solenoid specify Voltage/Frequency/AC/DC/Operation
- MO Manual Operator on Solenoid Valve (to control during power failure)
- RV Pilot Installed on Reverse Side
- GL Liquid Filled Pressure Gauge



Schematic Diagram

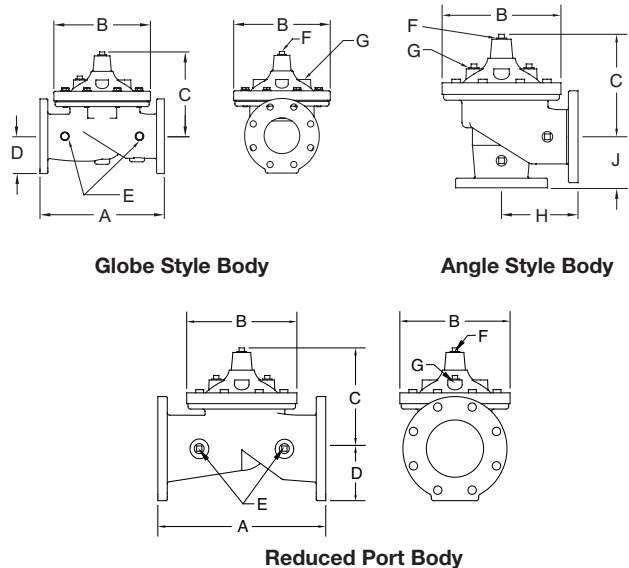
Item	Description of Standard Features
1	Main Valve
2	850XL Isolation Valve
3	SXL "Wye" Type Strainer
4	Pressure Gauge
5	Restriction Fitting
6	PRXL Pressure Reducing Control
7	2-Way Accelerator Pilot
8	PV-SOL3 3-Way Solenoid Control

Globe and Angle Main Valve Dimensions

DIM	FULL PORT	VALVE SIZE INCHES (mm)											
		1 1/4 (32)	1 1/2(38)	2 (50)	2 1/2(65)	3 (80)	4 (100)	6 (150)	8 (200)	10 (250)	12 (300)	14 (350)	16 (400)
A	Threaded	7 1/4	7 1/4	9 7/16	11	12 1/2							
	Class 150 Flange		8 1/2	9 3/8	11	12	15	20	25 3/8	29 3/4	34	39	41 3/8
	Class 300 Flange		9	10	11 5/8	13 1/4	15 5/8	21	26 7/16	31 1/8	35 1/2	40 1/2	43 1/2
	Grooved		8 1/2	9	11	12 1/2	15	20	25 3/8	29 3/4			
B	Diameter	5 5/8	5 5/8	6 3/4	8	9 3/16	11 11/16	15 3/4	20 1/8	23 11/16	27 1/2	31 3/4	34 1/2
C	Max.	5 3/4	5 3/4	6 3/16	7 3/8	8	10 3/16	12 5/16	15 9/16	17 5/8	20 3/16	22 13/16	25 7/8
D	Threaded/Grooved	1 3/8	1 3/8	1 3/4	2 1/8	2 9/16	3 7/16	5	5	5 13/16	6 3/4	8 7/8	8 13/16
	Class 150 Flange		2 1/2	3	3 1/2	3 3/4	4 1/2	5 1/2	6 3/4	8	9 1/2	10 1/2	11 3/4
	Class 300 Flange		3	3 1/4	3 3/4	4 1/8	5	6 1/4	7 1/2	8 3/4	10 1/4	11 1/2	12 3/4
E	NPT Body Tap	3/8	3/8	3/8	1/2	1/2	3/4	3/4	1	1	1	1	1
F	NPT Cvr. Plug Tap	1/2	1/2	1/2	1/2	1/2	3/4	3/4	1	1	1	1	1
G	NPT Cover Tap	3/8	3/8	3/8	1/2	1/2	3/4	3/4	1	1	1	1	1
H	Threaded	3 1/4	3 1/4	4 3/4	5 1/2	6 1/4							
	Class 150 Flange		4	4 3/4	5 1/2	6	7 1/2	10	12 11/16	14 7/8			
	Class 300 Flange		4 1/4	5	6	6 7/16	8	10 1/2	13 1/4	15 9/16			
	Grooved		4 7/16	4 3/4	5 1/2	6	7 1/2	10	12 11/16	14 7/8			
J	Threaded	1 15/16	1 15/16	3 1/4	4	4 1/2							
	Class 150 Flange		4	3 1/4	4	4	5	6	8	8 5/8			
	Class 300 Flange		4 1/4	3 1/2	4 5/16	4 7/16	5 5/16	6 1/2	8 1/2	9 5/16			
	Grooved		3 3/16	3 1/4	4	4 1/4	5	6	8	8 5/8			
Valve Stem Internal Thread		10-32	10-32	10-32	10-32	1/4-20	1/4-20	1/4-20	3/8-16	3/8-16	3/8-16	3/8-16	3/8-16
Stem Travel (in)		7/16	7/16	3/4	7/8	1	1 3/16	1 3/4	2 3/8	2 3/16	3 7/16	3 13/16	4 5/16
Approx. Wt. (lbs)		22	26	36	55	70	130	240	440	720	820	1200	1550

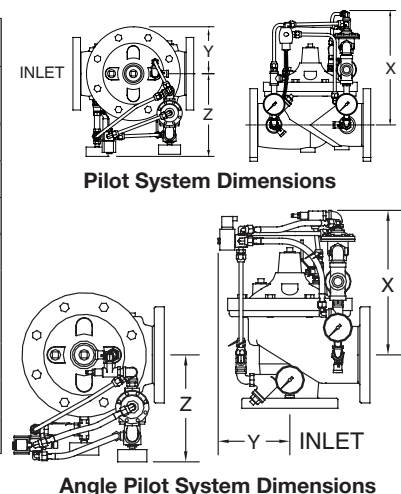
Reduced Port Main Valve Dimensions

DIM		VALVE SIZE INCHES (mm)				
		3" (80)	4" (100)	6" (150)	8" (200)	10" (250)
A	Class 150 Flange	10 1/4	14	17 3/4	21 7/16	26
	Class 300 Flange	11	14 1/2	18 11/16	22 7/16	27 7/16
B	Dia	6 3/4	9 3/16	11 11/16	15 3/4	20 1/8
C	Max	6 3/8	8 7/16	12 5/16	13 1/4	16 3/4
D	Class 150 Flange	3 3/4	4 1/2	5 1/2	6 3/4	8
	Class 300 Flange	4 1/8	5	6 1/4	7 1/2	8 3/4
E	NPT Body Tap	3/8	1/2	3/4	3/4	1
F	NPT Cvr. Plug Tap	3/8	1/2	3/4	3/4	1
G	NPT Cvr. Tap	3/8	1/2	3/4	3/4	1
Valve Stem Internal Thread		10-32	1/4-20	1/4-20	3/8-16	3/8-16
Stem Travel (in)		3/4	1	1 1/5	1 3/4	2 3/8
Approx. Wt. (Lbs)		35	80	140	275	480



Pilot System Dimensions

PILOT SYSTEM DIMENSIONS		VALVE SIZE INCHES (mm)											
	DIM	1-1/4 (32)	1-1/2 (40)	2" (50)	2-1/2" (65)	3" (80)	4" (100)	6" (150)	8" (200)	10" (250)	12" (300)	14" (350)	16" (400)
Full Port Body	X Max. (inches)	12 1/8	12 1/8	12	13 1/4	13 1/4	14 3/8	15 3/8	16 1/8	18 1/8	20	23	26
	Y Max. (inches)	3 1/2	3 1/2	3 3/4	4 1/8	4 5/8	5 7/8	8	10 1/4	11 7/8	14	16	17 1/2
	Z Max. (inches)	10 1/2	10 1/2	10 3/4	10 3/8	10 3/4	10 1/4	12 1/2	14	15 3/8	17	20	21 1/2
Reduced Port Body	X Max. (inches)					12	13 1/4	14 3/8	15 3/8	16 1/8			
	Y Max. (inches)					3 3/4	4 5/8	5 7/8	8	10 1/4			
	Z Max. (inches)					10 3/4	10 3/4	10 1/4	12 1/2	14			
Angle Body	X Max. (inches)	12	12	12	13	13	13 1/2	15 1/2	16	18			
	Y Max. (inches)	6 3/4	6 3/4	6 3/4	6 3/4	6 3/4	6 3/4	8	10	12			
	Z Max. (inches)	10 1/2	10 1/2	11	10 1/2	11	10	12 1/2	14	15 1/2			



Flow Characteristics

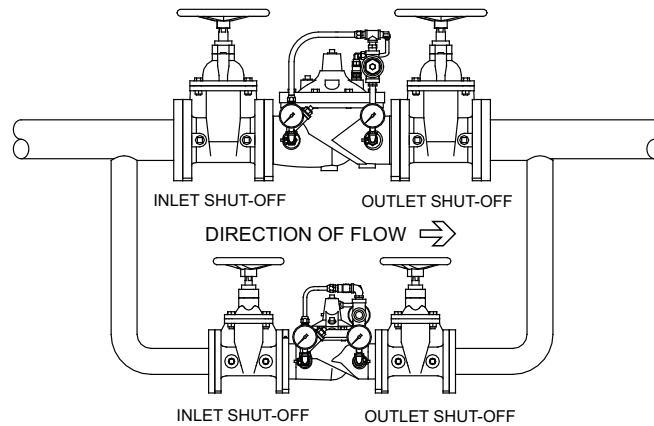
Full Port Globe and Angle Valve size	inches (mm)	1 1/4 (32)	1 1/2 (40)	2 (50)	2 1/2 (65)	3 (80)	4 (100)	6 (150)	8 (200)	10 (250)	12 (300)	14 (350)	16 (400)
Reduced Port Globe Valve Size	inches (mm)			3 (80)		4 (100)	6 (150)	8 (200)	10 (250)				
Suggested Flow (GPM)	Max. Continuous	93	125	210	300	460	800	1800	3100	4900	7000	8400	11000
	Max Intermittent	120	160	260	375	600	1000	2250	4000	6150	8700	10500	13800
	Min. Continuous	10	10	15	20	30	50	115	200	300	435	530	690
Suggested Flow (Liters/sec)	Max. Continuous	6	8	13	19	29	50	113	195	309	550	665	870
	Max. Intermittent	7.6	10	16.4	23	37	62	142	246	388	440	530	95
	Min. Continuous	.6	.6	0.9	1.3	1.9	3.2	7.2	13	19	28	33	43

Suggested flow calculations are based on flow through Schedule 40 Pipe. Maximum continuous flow is approx. 20 ft./sec (6.1 meters/sec) & maximum intermittent is approx. 25 ft./sec (7.6 meters/sec) and minimum continuous flow is approx. 1.25 ft./sec (0.4 meters/sec). Many factors should be considered in sizing pressure reducing valves including inlet pressure, outlet pressure and flow rates.

Operation

The Model ZW209E utilizes a pressure reducing pilot valve that installs on the discharge side of the control circuitry. The pilot is a direct acting, normally open, spring loaded, diaphragm actuated valve. The operation of the ZW209E begins with accurately sizing the valve, then fine tuning the control circuit by adjusting the pilot spring to the desired downstream pressure. Inlet pressure is piped to the inlet port of the pressure reducing pilot. A sensing line runs internally from the discharge side of the pilot to its lower control chamber under the diaphragm. Thus, downstream pressure exceeding the preset acts to close the pilot while the adjustable spring seeks to keep it open. The result is a modulating action in the pilot that is transmitted to the bonnet of the main valve. This creates a mirror modulation of the diaphragm assembly in the main valve. Downstream pressure is maintained within narrow limits regardless of changing flow rates or varying inlet pressures.

Typical Installation



Notice:

In cases where design flow falls below the minimum continuous flow rate, a low flow by-pass shall be installed.

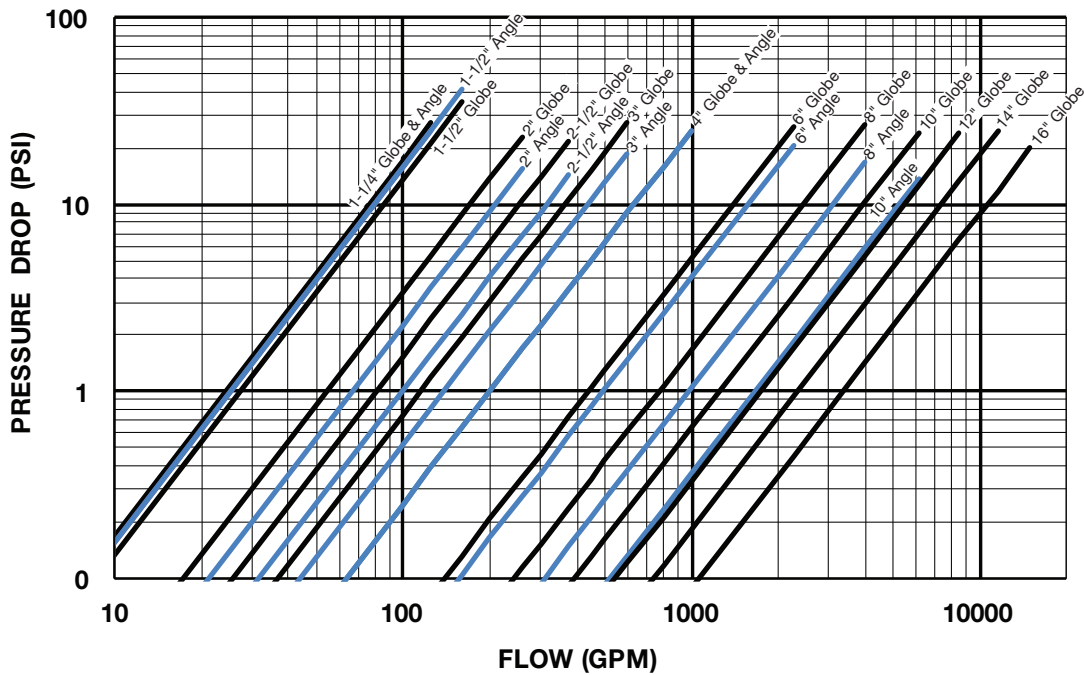
Specifications

The Pressure Reducing Valve shall be a diaphragm actuated, pilot controlled valve. The main valve body shall be ductile iron ASTM A 536. The stem of the basic valve shall be guided top and bottom. The diaphragm shall not be used as a seating surface. All internal and external ferrous surfaces shall be coated with a high quality, fusion epoxy coating. The pilot control shall be field adjustable from 15 psi to 150 psi. Pilot control shall include a solenoid to override and close main valve. The valve shall be certified to NSF/ANSI Standard 61. The Pressure Reducing Valve shall be a ZURN WILKINS Model ZW209E.

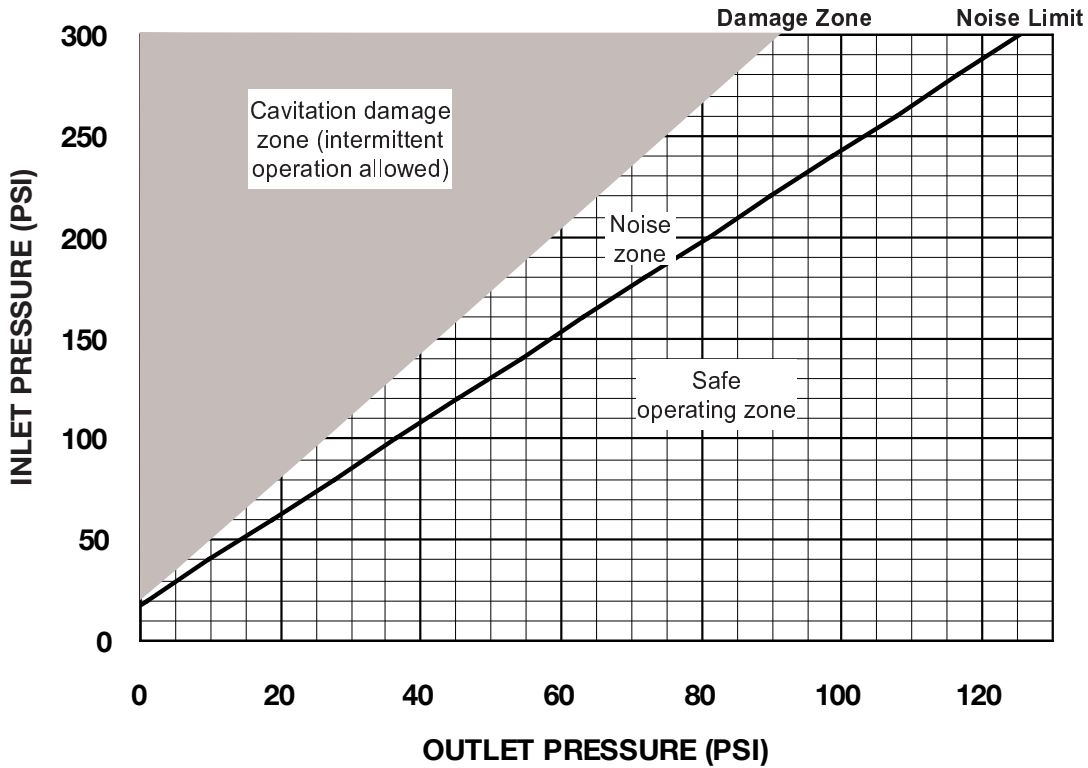
JOB NAME _____ **CONTRACTOR** _____

JOB LOCATION _____ **ENGINEER** _____

BODY MINIMUM FRICTION LOSS



PRESSURE REDUCTION LIMIT



*** Notes for Body Minimum Friction Loss Chart:**

Minimum inlet pressure is 10 psi higher than set point or the additional body friction loss at intended flow, whichever is higher. (friction loss may be important at flows above 20 ft/s)

Example: A 6" valve intended to flow 2000 GPM at 150 psi has a friction loss of 20 psi at 2000 GPM. The minimum inlet pressure would be 150 + 20 = 170 psi. When inlet pressure is below set point, the outlet pressure will be the pressure at the inlet minus the friction loss.