



Model 475STDAR

Reduced Pressure Detector Assembly

Application

Designed for drop in replacement of Zurn Wilkins Model 475DA and new installation on water lines in fire protection systems to protect against both backsiphonage and backpressure of contaminated water into the potable water supply. The Model 475STDAR shall provide protection where a potential health hazard exists. The Model 475STDAR is approved for applications requiring flow vertical up and vertical down (standard). Incorporates metered by-pass to detect leaks and unauthorized water use.



LEAD FREE



NSF/ANSI/CAN 61 & 372

Standards Compliance

- Approved by the Foundation for Cross Connection Control and Hydraulic Research at the University of Southern California (VUVD orientation)
- ASSE® Listed 1047
- AWWA Compliant C550
- CSA® Certified B64.4
- UL® Classified
- C-UL® Classified
- FM® Approved
- Meets the requirements of NSF/ANSI/CAN 61* & 372

*(LESS THAN 0.25% WEIGHTED AVERAGE LEAD CONTENT)

By-Pass Backflow Assembly 3/4" Model 975XLD

Materials

Main valve body	304L Stainless steel
Access covers	304L Stainless steel
Internals	Stainless steel, 300 Series NORYL™, NSF Listed
Fasteners & Springs	Stainless Steel, 300 Series
Elastomers	EPDM (FDA approved)
Polymers	Buna Nitrile (FDA approved)
Sensing line	NORYL™, NSF Listed Stainless steel, braided hose

Features

Sizes: 4", 6", 8", 10"	
Maximum working water pressure	175 psi
Minimum working water pressure	25 psi
Maximum working water temperature	140° F
Minimum working water temperature	33° F
Hydrostatic test pressure	350 psi
End connections	
(Grooved for steel pipe)	AWWA C606
(Flanged bolt pattern)	ASME B16.42 Class 150

Options

(Suffixes can be combined)

- with OS & Y gate valves (standard)
- LM - less water meter
- with gpm meter (standard)
- CFM - with cu ft/min meter
- G - with groove end gate valves
- FG - with flanged inlet gate connection and grooved outlet gate connection
- BG - with grooved end butterfly valves with integral supervisory switches
- BF - with flanged end butterfly valves with integral supervisory switches
- PI - with post indicator gate valve
- RV - with by-pass, relief valve and shut-off valves on reverse side

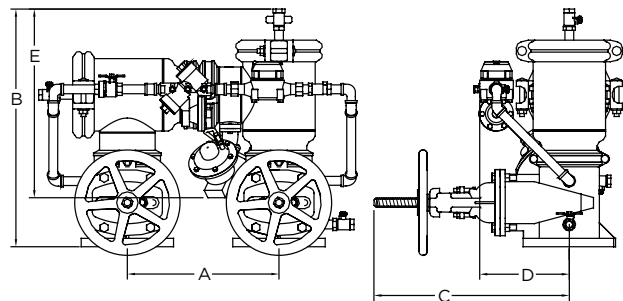
Accessories

- Air gap (see spec sheet BF-AG)
- Repair kit (rubber only)
- Thermal expansion tank (Model XT)
- Valve setter (Model FLS or MJS or MJFS)
- Gate valve tamper switch (OSY-40)
- QT-SET Quick Test Fitting Set

Relief Valve discharge port;
2 1/2" - 6" - 2.75 sq. in.
8" - 10" - 3.69 sq. in.

Dimensions & Weights (do not include pkg.)

SIZE	WEIGHT							
	WITH OS&Y GATES (GXF)		WITH OS&Y GATES (GXG)		WITH BFLY VALVES (GXF)		WITH BFLY VALVES (GXG)	
	lbs.	kg	lbs.	kg	lbs.	kg	lbs.	kg
4"	222	100	202	91	169	77	146	66
6"	350	159	326	148	235	107	204	93
8"	625	283	587	266	454	206	408	185
10"	878	398	824	374	567	257	509	231



SIZE	DIMENSION (approximate)																		
	A		B WITH GATE VALVES		B WITH BUTTERFLY VALVES		C OS&Y OPEN		C OS&Y CLOSED		C WITH BUTTERFLY VALVES		D		E		E WITH BUTTERFLY VALVES		
	in.	mm	in.	mm	in.	mm	in.	mm	in.	mm	in.	mm	in.	mm	in.	mm	in.	mm	
4" 475STDAR	100	18 5/16	465	22 1/4	565	19 7/8	505	22 1/2	572	18 1/4	464	9	229	10 1/8	257	18 3/8	467	18 3/8	467
6" 475STDAR	150	18 11/16	475	27 7/8	708	24 3/4	630	30 1/2	775	24 1/4	616	10 1/4	260	10 5/8	270	22 3/8	570	22 3/8	570
8" 475STDAR	200	29	737	34 7/8	886	29 1/8	740	37	940	28 1/2	724	12	305	12 7/8	327	30 5/8	780	30 5/8	780
10" 475STDAR	250	29	737	38 3/4	984	35 3/4	910	45 5/8	1159	34 3/4	883	13	330	12 7/8	327	32 3/4	832	32 3/4	832

Zurn Water, LLC | Wilkins

1747 Commerce Way, Paso Robles, CA U.S.A. 93446 Ph. 855-663-9876, Fax 805-238-5766

In Canada | Zurn Industries Limited

7900 Goreway Drive, Unit 10, Brampton, Ontario L6T 5W6, 877-892-5216

www.zurn.com

Rev. N

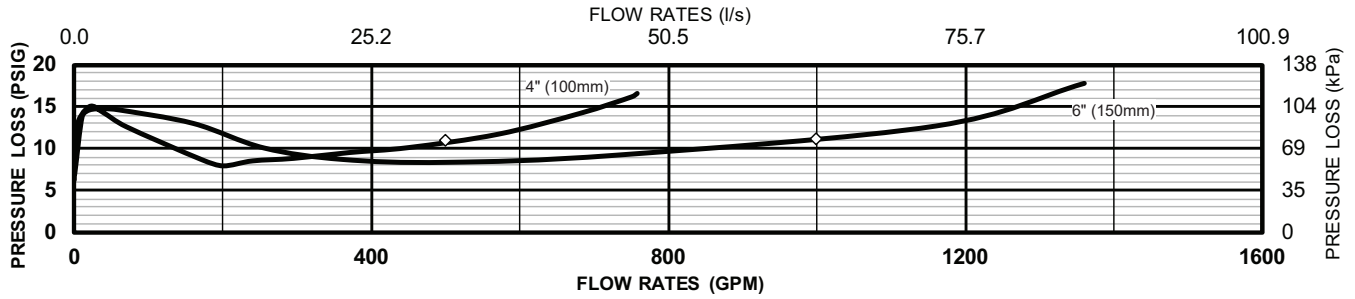
Date: 8/24

Document No. BF-475STDAR

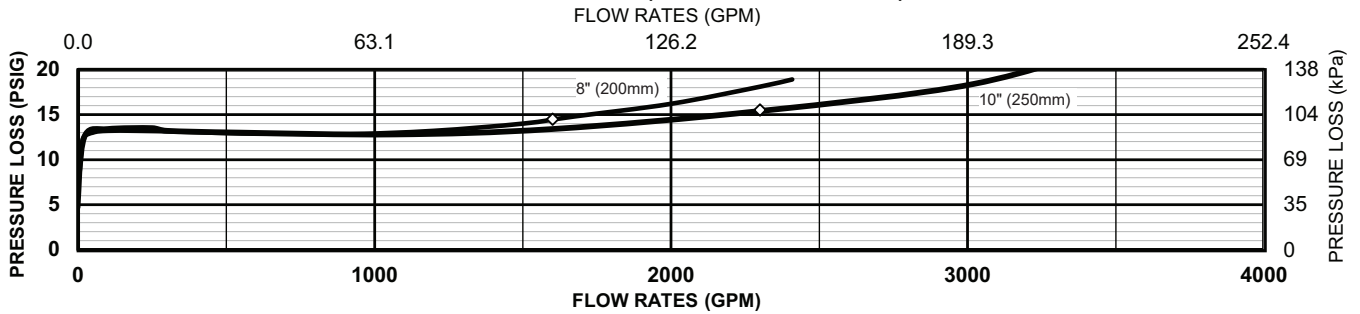
Product No. Model 475STDAR

Patent zurn.com/patents

475STDAR 4" & 6" (STANDARD & METRIC)



475STDAR 8" & 10" (STANDARD & METRIC)

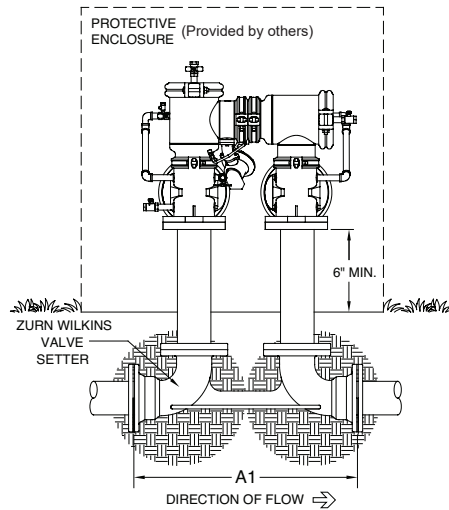


Typical Installation

Local codes shall govern installation requirements. To be installed in accordance with the manufacturers' instructions and the latest edition of the Uniform Plumbing Code. Unless otherwise specified, the assembly shall be mounted above adequate drains with sufficient side clearance for testing and maintenance. The installation shall be made so that no part of the unit can be submerged.

Pipe size	Capacity thru Schedule 40 Pipe (GPM)			
	5 ft/sec	7.5 ft/sec	10 ft/sec	15 ft/sec
2 1/2"	75	112	149	224
3"	115	173	230	346
4"	198	298	397	595
6"	450	675	900	1351
8"	780	1169	1559	2339
10"	1229	1843	2458	3687

MODEL SIZE		DIMENSIONS (approximate)			
		A1 SETTER END TO END FLS		A1 SETTER END TO END MJS	
in.	mm	in.	mm	in.	mm
4	100	31 5/16	795	29 5/16	745
6	150	34 3/4	884	32 3/4	832
8	200	47	1194	44 5/8	1133
10	250	51	1295	47	1194



OUTDOOR INSTALLATION

Specifications

The Reduced Pressure Detector Backflow Prevention Assembly shall be certified to NSF/ANSI/CAN 61, ASSE® Listed 1047, and supplied with full port OS & Y gate valves. The main body, spool, and access cover shall be 304L Stainless Steel, the seat ring and check valve shall be NORYL™, the stem shall be stainless steel (ASTM A 276) and the seat disc elastomers shall be EPDM. The checks and the relief valve shall be accessible for maintenance without removing the device from the line. The Reduced Pressure Detector Backflow Prevention Assembly shall be a ZURN WILKINS Model 475STDAR.