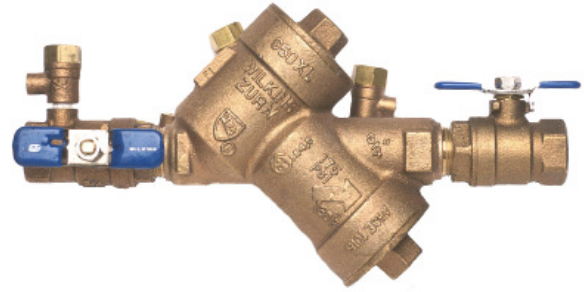


### Application

Designed for installation on water lines to protect against both backsiphonage and backpressure of polluted water into the potable water supply. Assembly shall provide protection where a potential health hazard does not exist.



### Standards Compliance

(All sizes approved horizontal. Vertical approvals as listed below.)

- ASSE® Listed 1015 ( vertical 3/4", 1 1/4", 1 1/2" & 2")
- IAPMO® Listed (vertical 1 1/4"-2")
- CSA® Listed ( vertical 3/4", 1 1/4", 1 1/2" & 2")
- AWWA Compliant C510 (vertical 3/4")
- UL® Classified (less shut-off valves only)
- C-UL® Classified (less shut-off valves only)
- City of Los Angeles Approved (vertical 1 1/4"-2")

### Options

(Suffixes can be combined)

- with full port QT ball valves (standard)
- L - less ball valves
- U - with union ball valves
- S - with bronze "Y" type strainer

### Materials

Main valve body	Cast Bronze ASTM B 584
Access covers	Cast Bronze ASTM B 584
Internals	Stainless Steel, 300 Series
Elastomers	Silicone (FDA approved) Buna Nitrile (FDA approved)
Polymers	Noryl™, NSF Listed
Springs	Stainless steel, 300 series

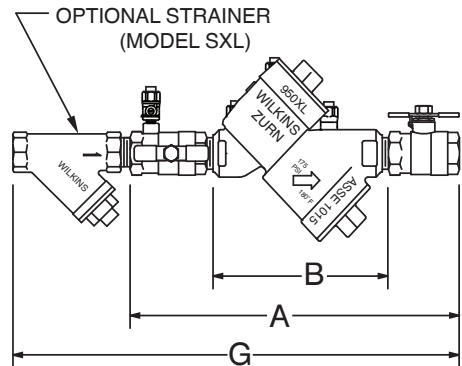
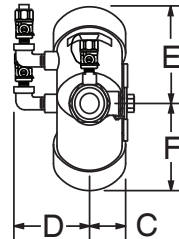
### Accessories

- Repair kit (rubber only)
- QT-SET Quick Test Fitting Set

### Features

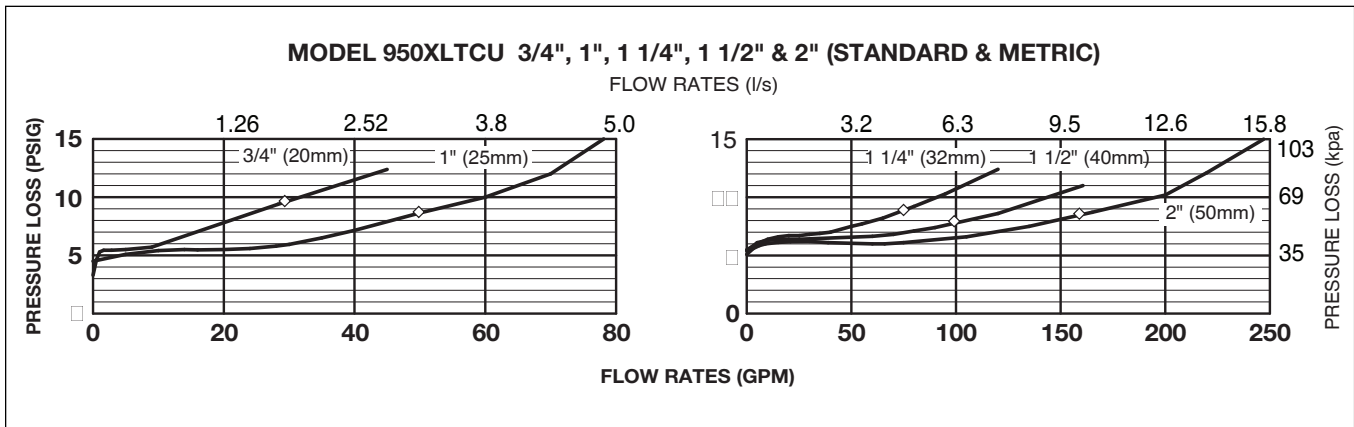
Sizes: 3/4", 1", 1 1/4", 1 1/2", 2"

Maximum working water pressure	175 PSI
Maximum working water temperature	180°F
Hydrostatic test pressure	350 PSI
End connections	Threaded ANSI B1.20.1



### Dimensions & Weights (do not include pkg.)

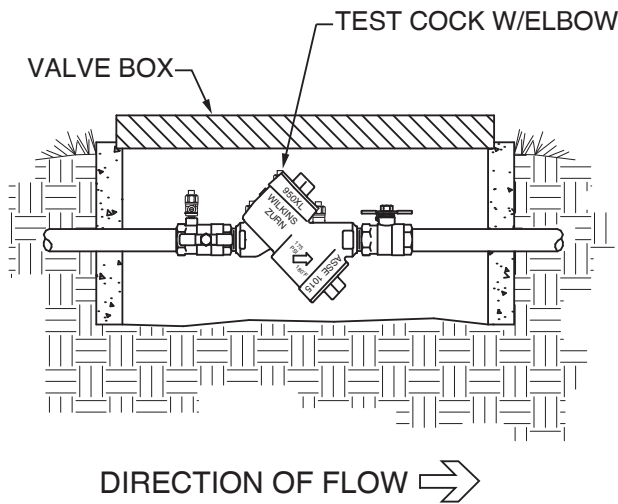
MODEL SIZE	DIMENSIONS (approximate)																WEIGHT				
	A		A UNION BALL VALVES		B LESS BALL VALVES		C		D		E		F		G		LESS BALL VALVES		WITH BALL VALVES		
	in.	mm	in.	mm	in.	mm	in.	mm	in.	mm	in.	mm	in.	mm	in.	mm	lbs	kg	lbs.	kg	
3/4	20	11 1/4	286	12 1/2	318	7	178	1 1/2	38	3	76	3 1/2	89	3	76	15	381	5	2.3	7	3.2
1	25	12 1/4	311	13 7/8	353	7	178	1 1/2	38	3	76	3 1/2	89	3	76	17 3/4	451	8	3.6	12	5.4
1 1/4	32	15 1/2	419	18 1/2	470	10 9/16	268	2	51	3 1/2	89	4 1/2	114	4 1/2	114	21 1/2	546	16	7.3	22	10
1 1/2	40	17 1/8	435	19 1/8	486	10 9/16	268	2	51	3 1/2	89	4 1/2	114	4 1/2	114	22 3/4	578	16	7.3	22	10
2	50	18 1/4	460	20	508	10 9/16	268	2	51	3 1/2	89	4 1/2	114	4 1/2	114	25 1/8	638	16	7.3	28	12.7



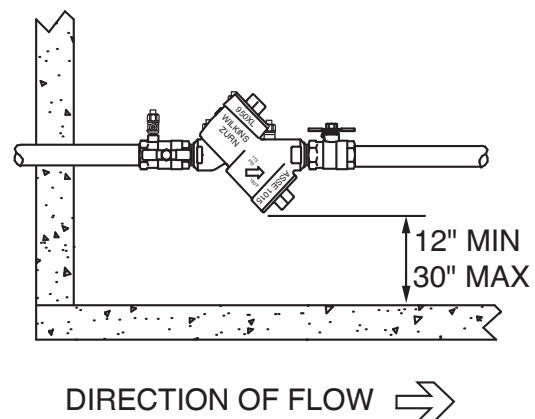
**Typical Installation**

Local codes shall govern installation requirements. To be installed in accordance with the manufacturer's instructions and the latest edition of the Uniform Plumbing Code. Unless otherwise specified, the assembly shall be mounted at a minimum of 12" (305mm) and a maximum of 30" (762mm) above adequate drains with sufficient side clearance for testing and maintenance. The installation shall be made so that no part of the unit can be submerged.

Capacity thru Schedule 40 Pipe				
Pipe size	5 ft/sec	7.5 ft/sec	10 ft/sec	15 ft/sec
1/8"	1	1	2	3
1/4"	2	2	3	5
3/8"	3	4	6	9
1/2"	5	7	9	14
3/4"	8	12	17	25
1"	13	20	27	40
1 1/4"	23	35	47	70
1 1/2"	32	48	63	95
2"	52	78	105	167



**PIT INSTALLATION**



**INDOOR INSTALLATION**

**Specifications**

The Double Check Valve Assembly shall be ASSE Listed 1015, and supplied with full port ball valves. The main body and access covers shall be bronze (ASTM B 584), the seat rings and all internal polymers shall be NSF® Listed Noryl™ and the seat disc elastomers shall be silicone. The first and second checks shall be accessible for maintenance without removing the device from the line. The Double Check Valve Assembly shall be a ZURN WILKINS Model 950XLTCU.